

Kahlenberg
PARTS CHART

Fig. 4

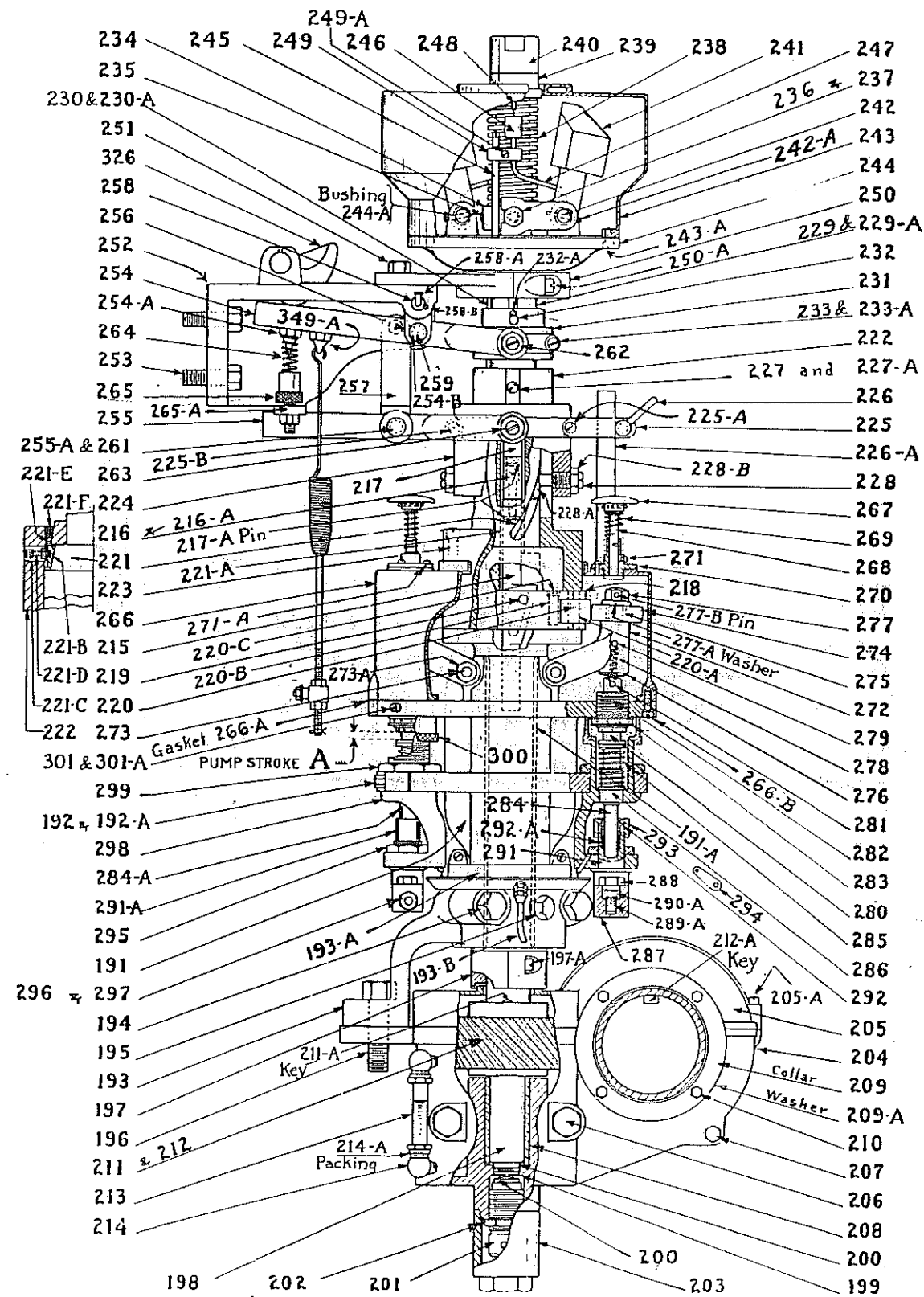


FIG. 4

Kahlenberg
PARTS CHART

Fig. 5

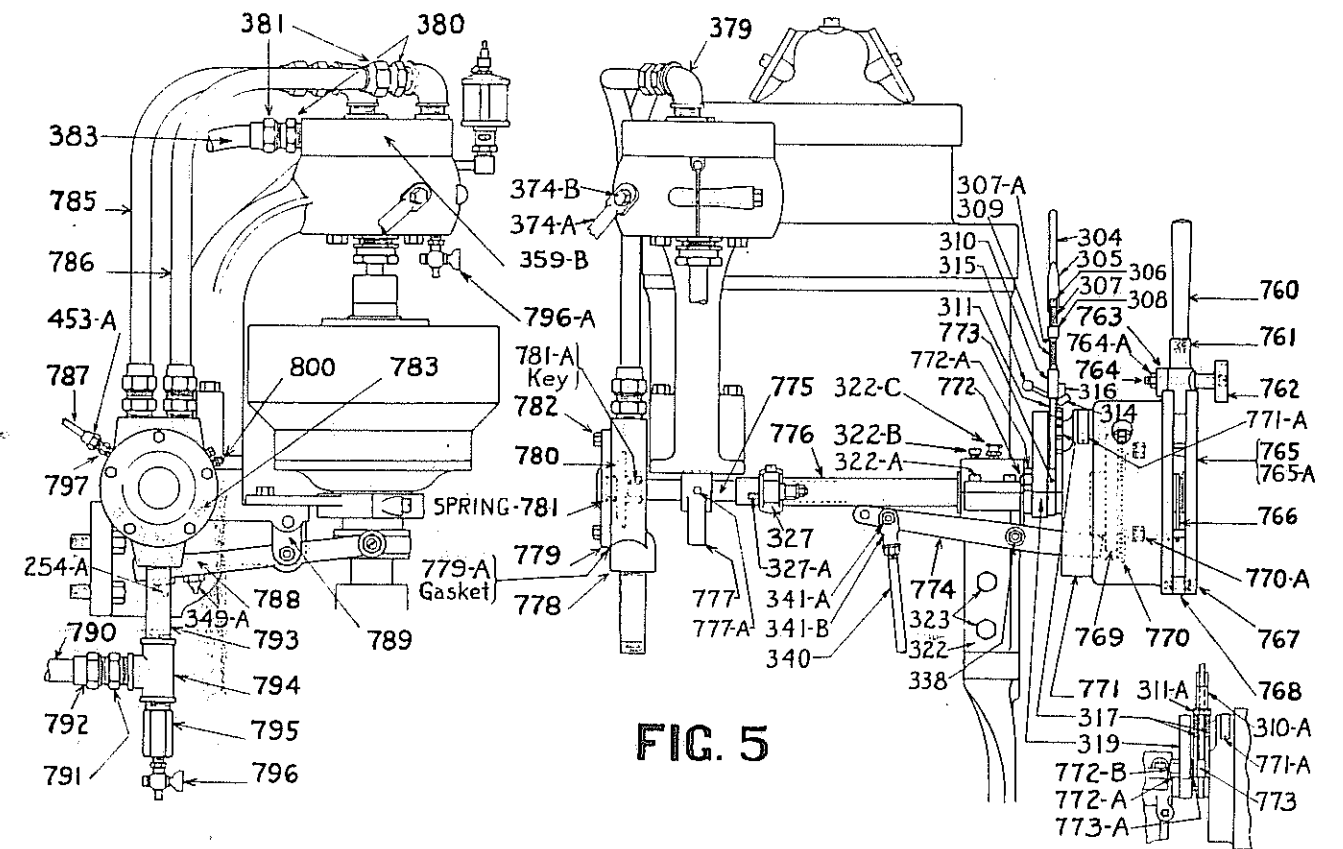


FIG. 5

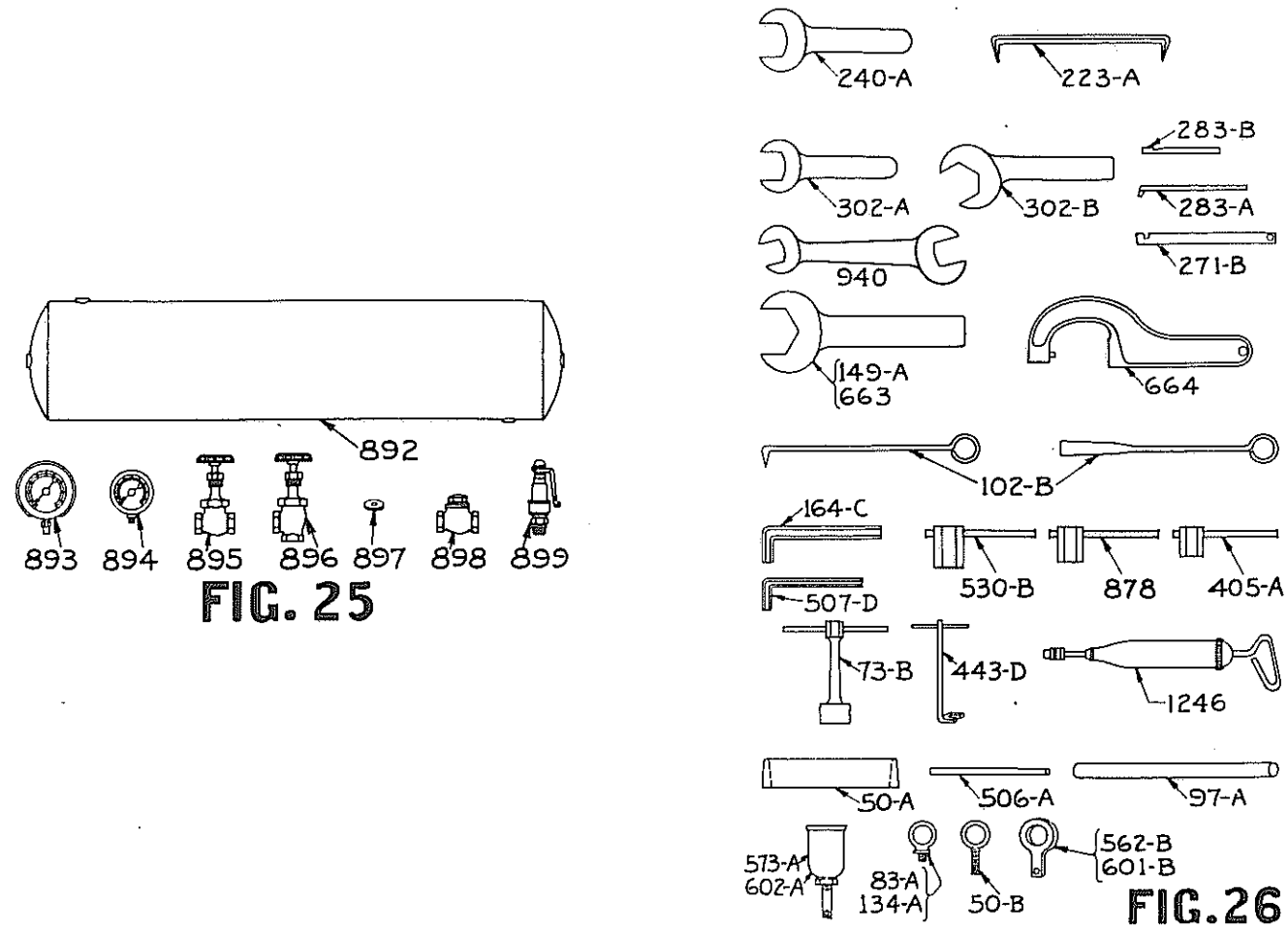


FIG. 25

FIG. 26

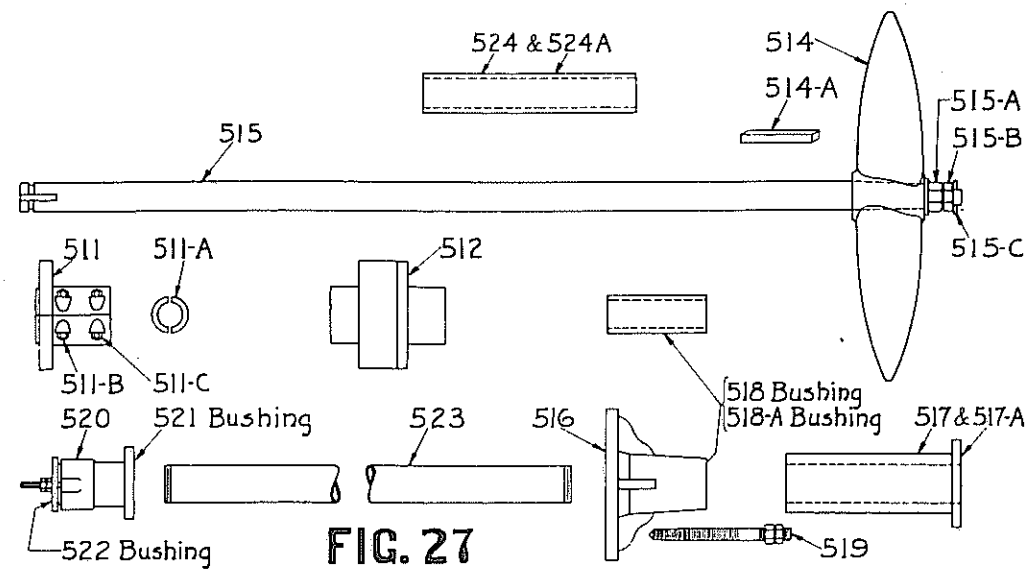


FIG. 27

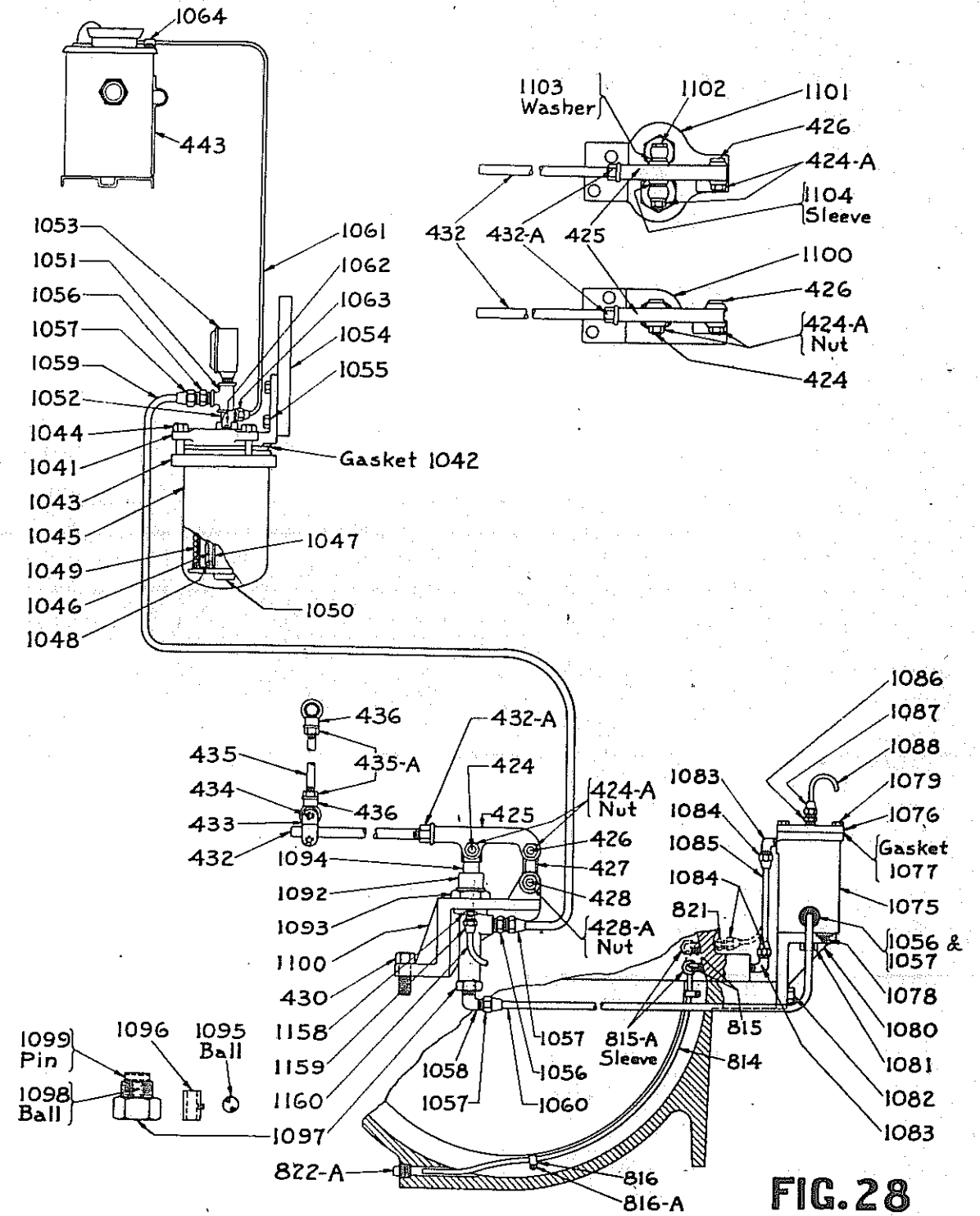


FIG. 28

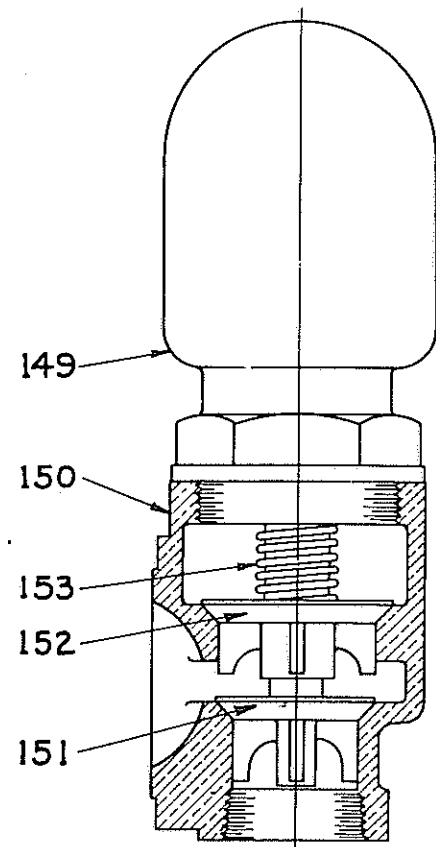


FIG. 29

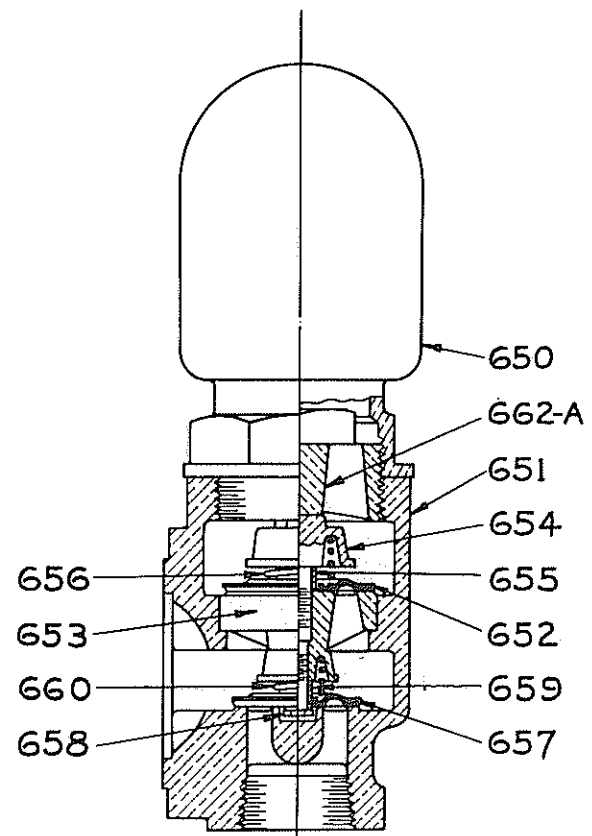


FIG. 30

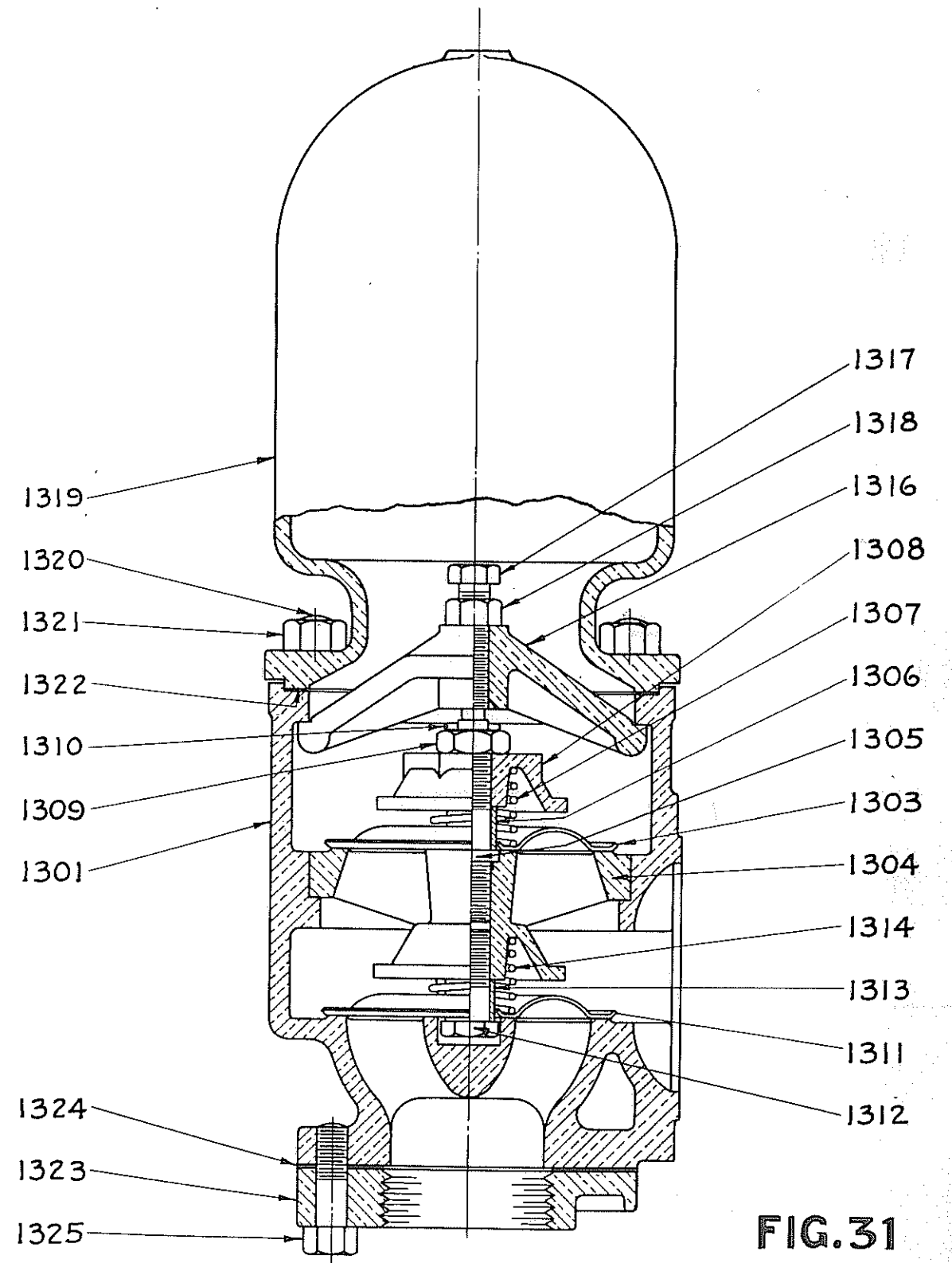


FIG. 31

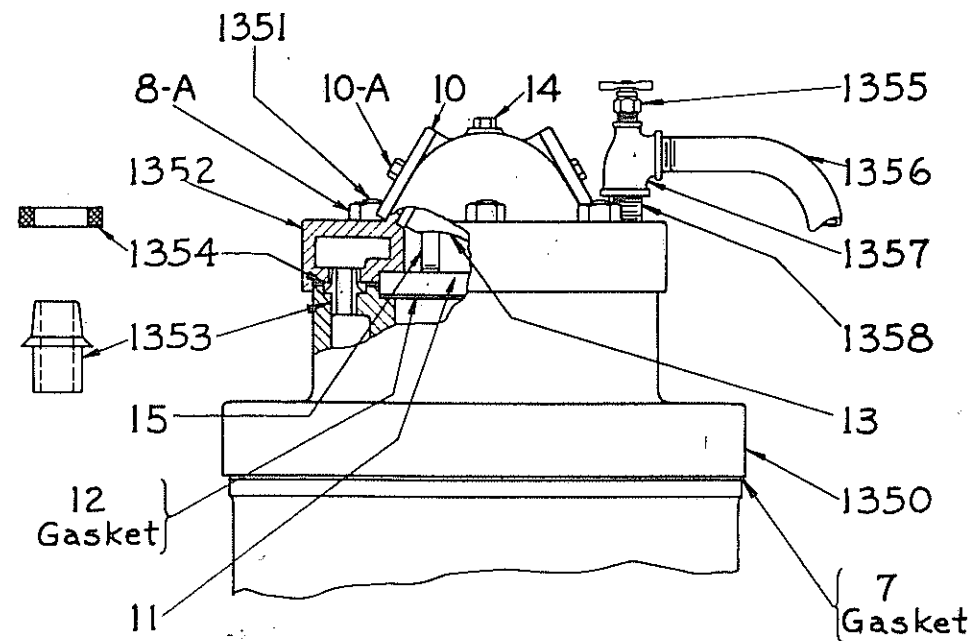


FIG. 33

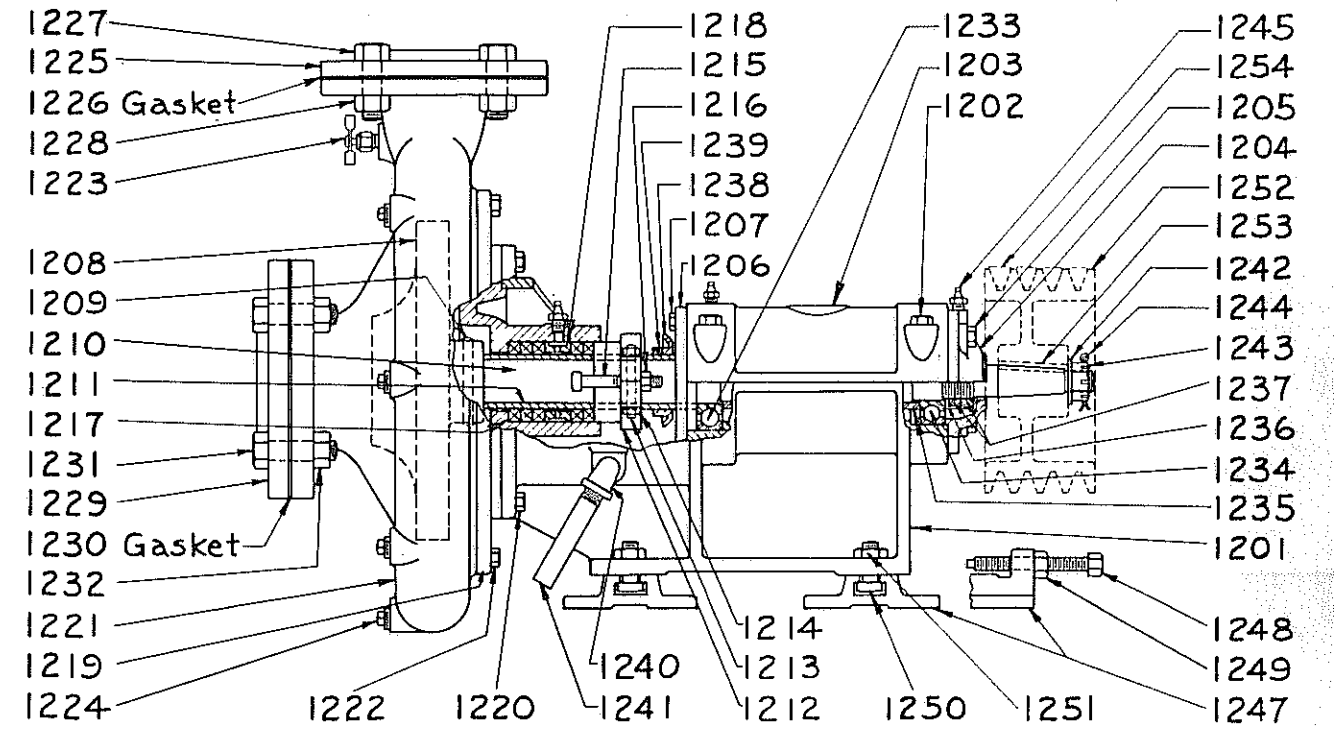


FIG. 32

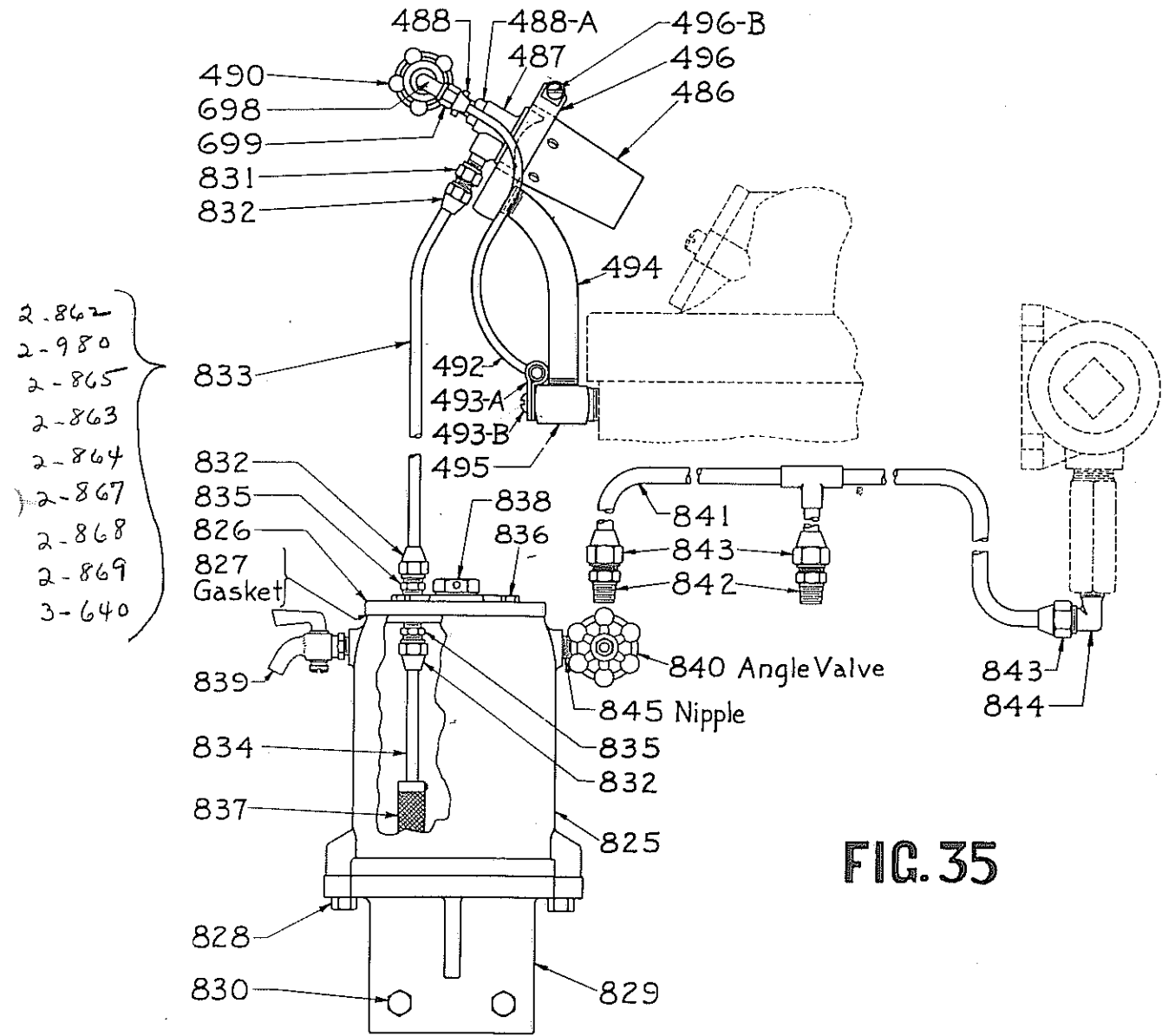


FIG. 35

825R- all 2 cyl - 1 small
 all 3 cyl - 1 large
 all 4 cyl - 2 small
 all 5 cyl - 2 large
 all 6 cyl - 2 large

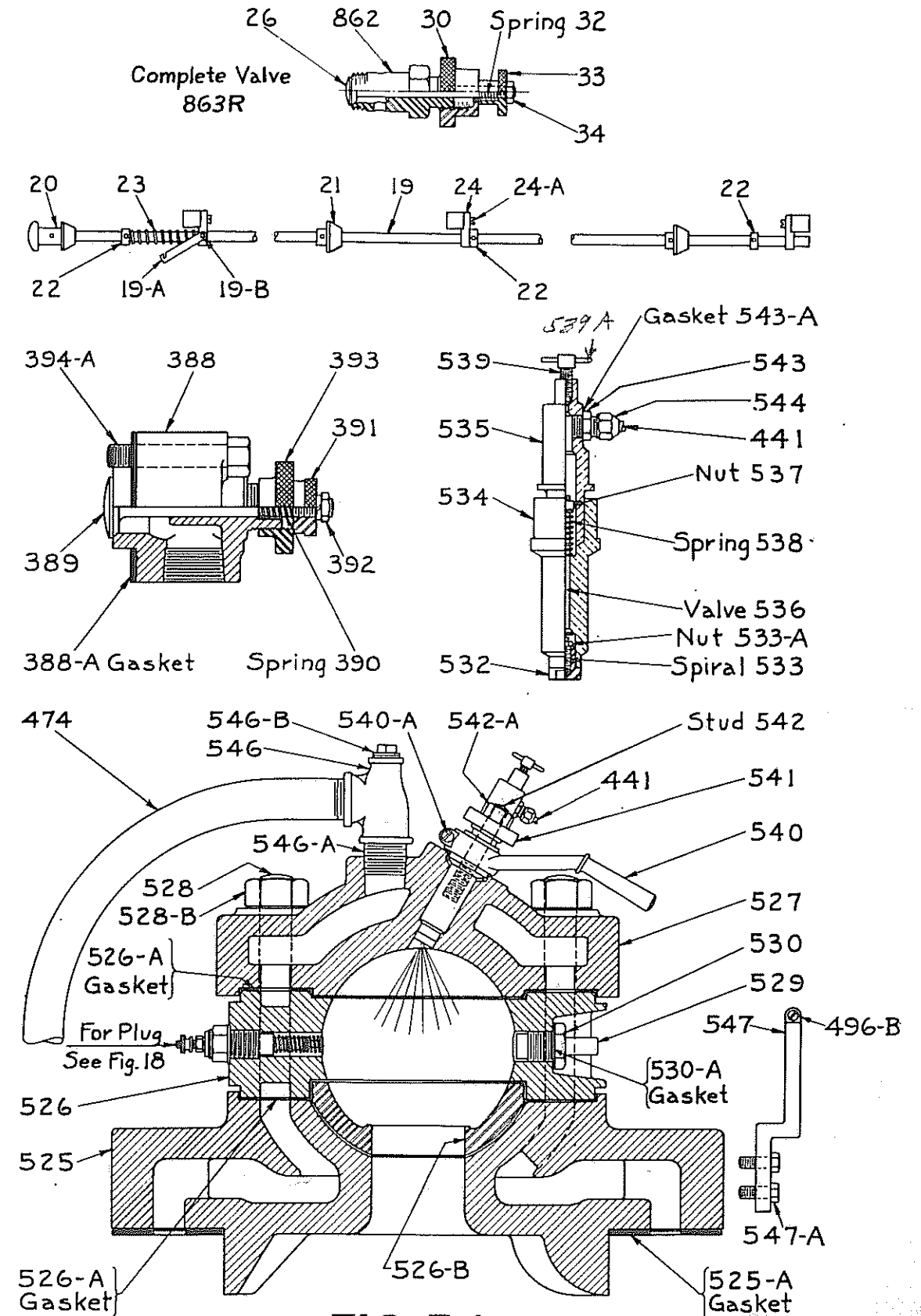


FIG. 34

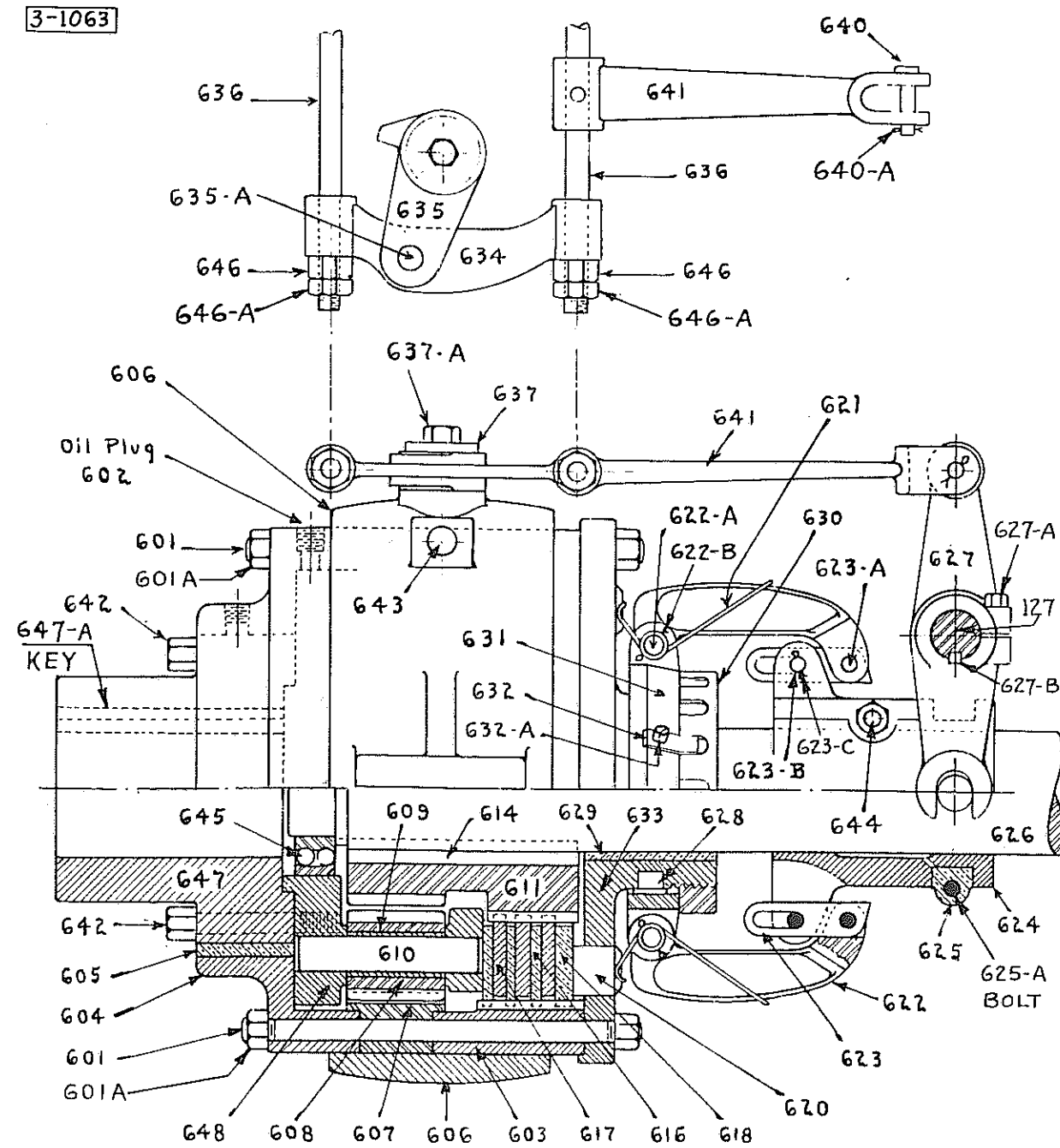
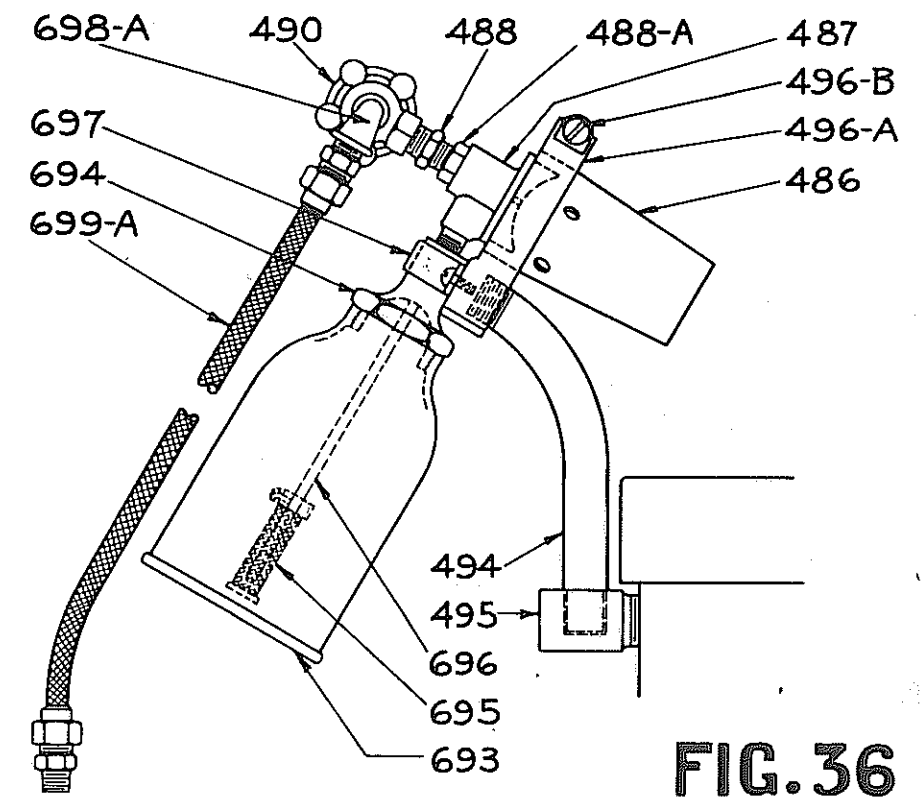
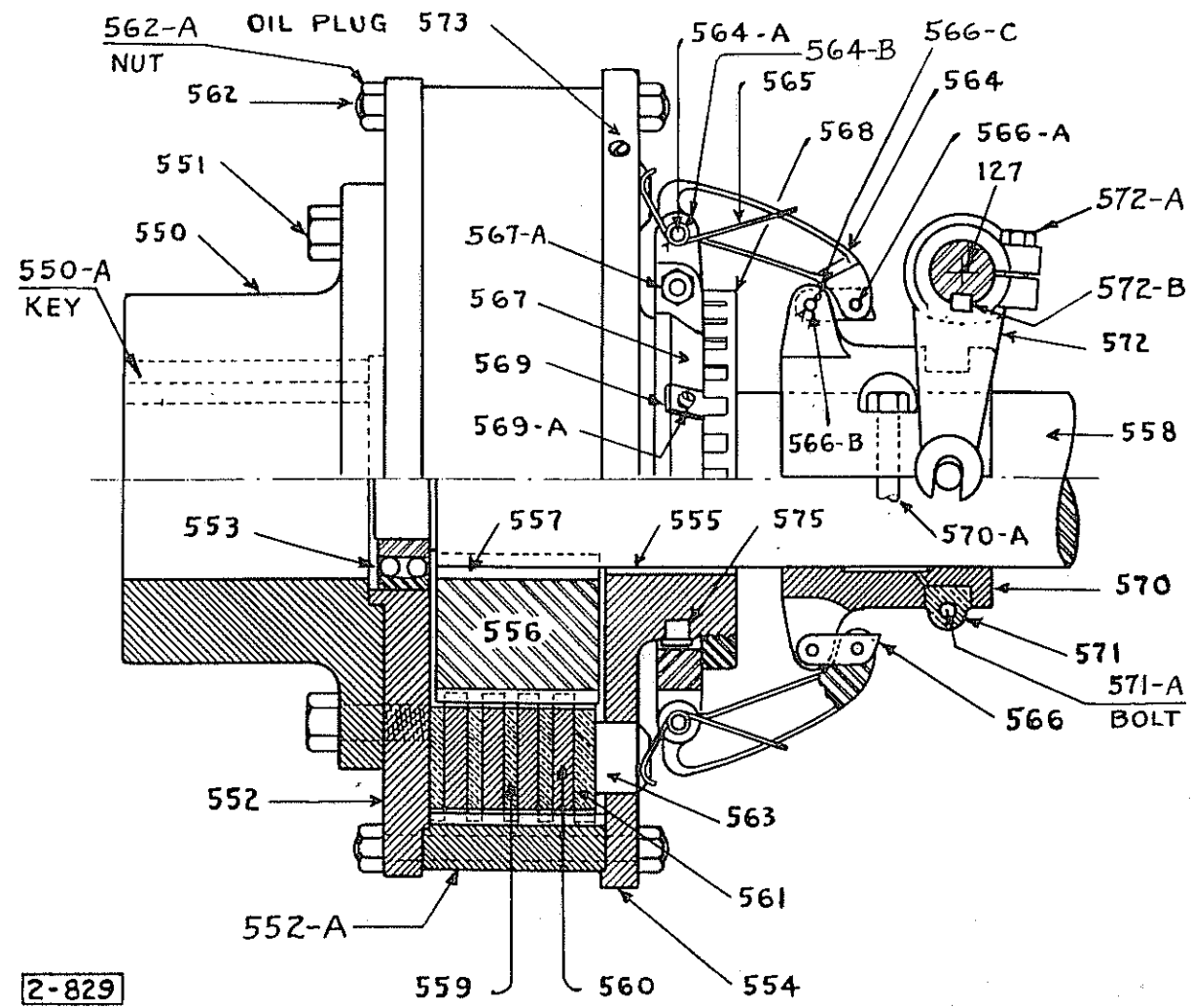


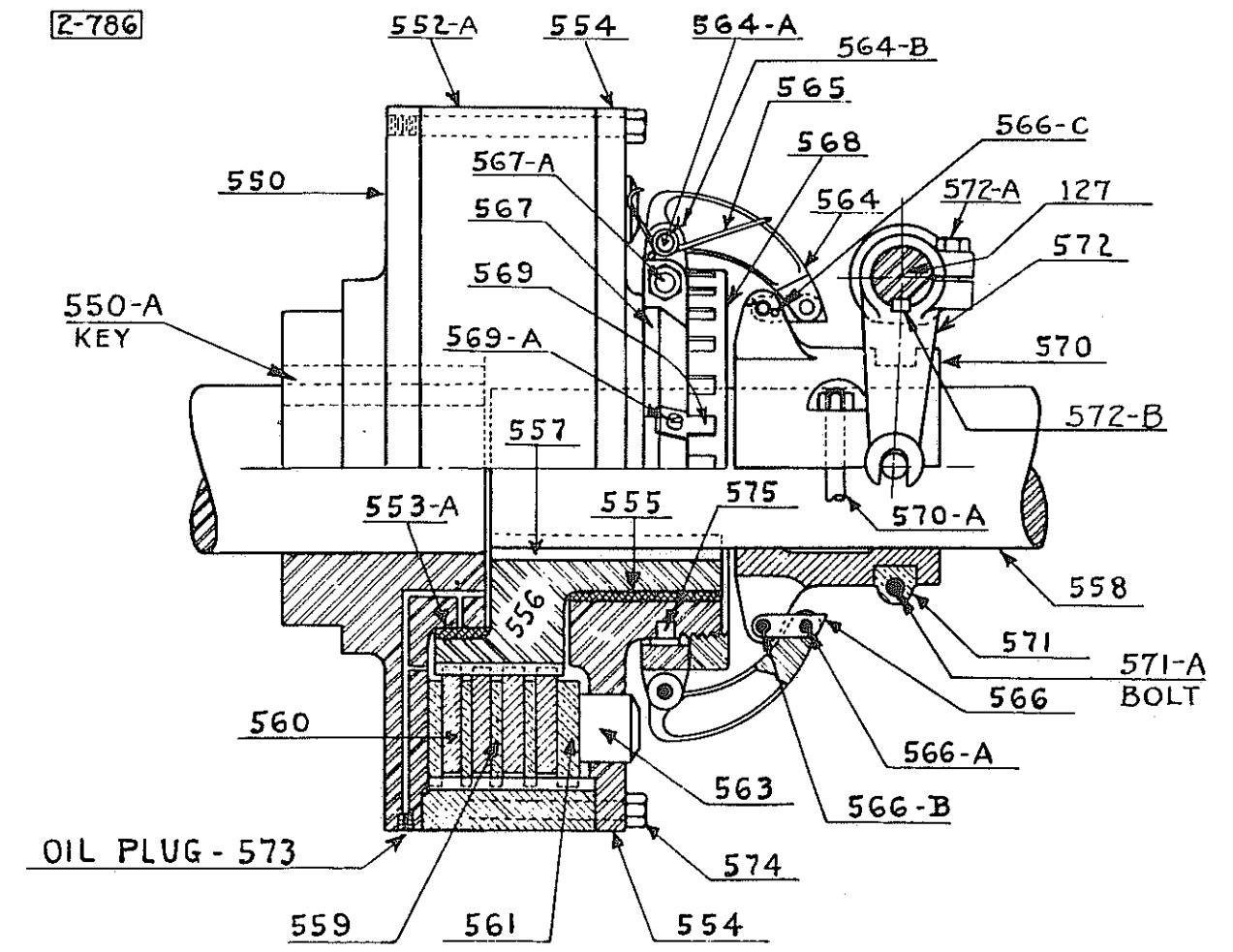
Fig. 37
No. 20 Kahlenberg Reverse Gear





2-829

Fig. 38
No. 150A Kahlenberg One-Way Clutch



2-786

Fig. 38
No. 150 Kahlenberg One-Way Clutch

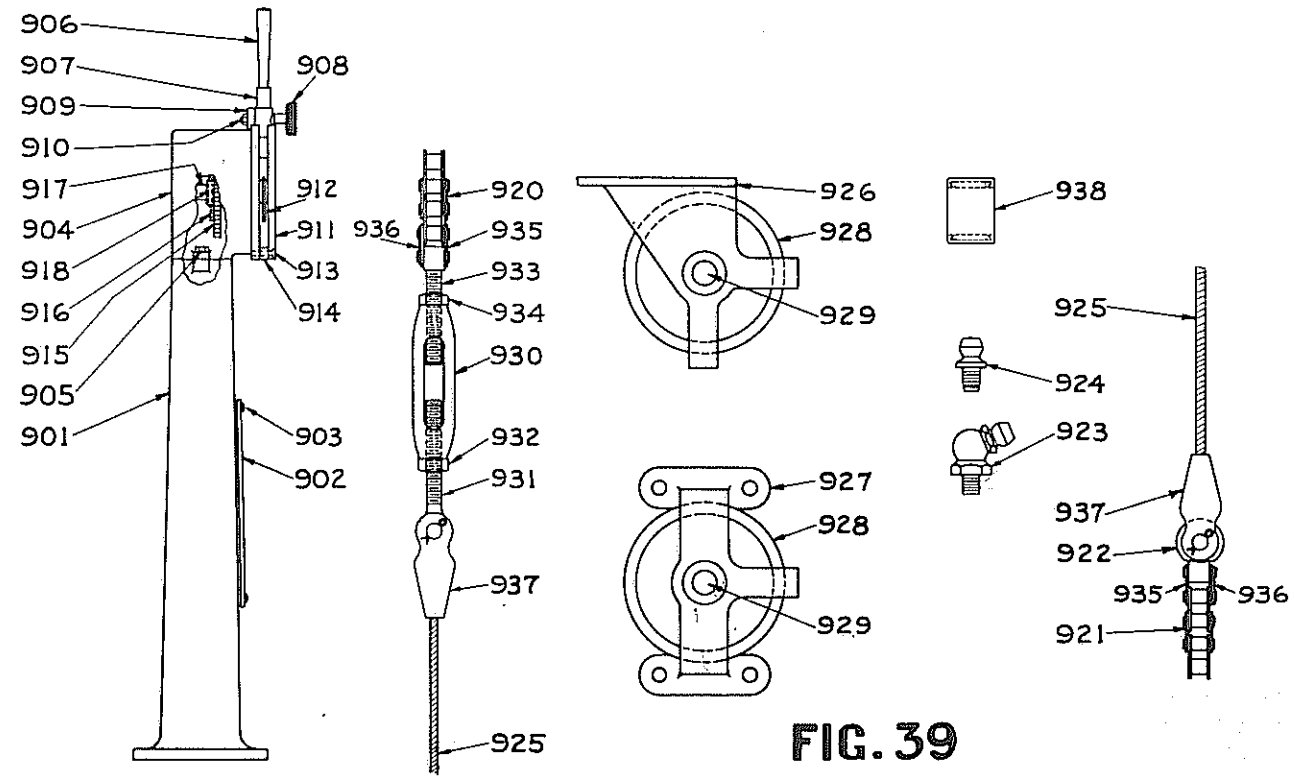


FIG. 39

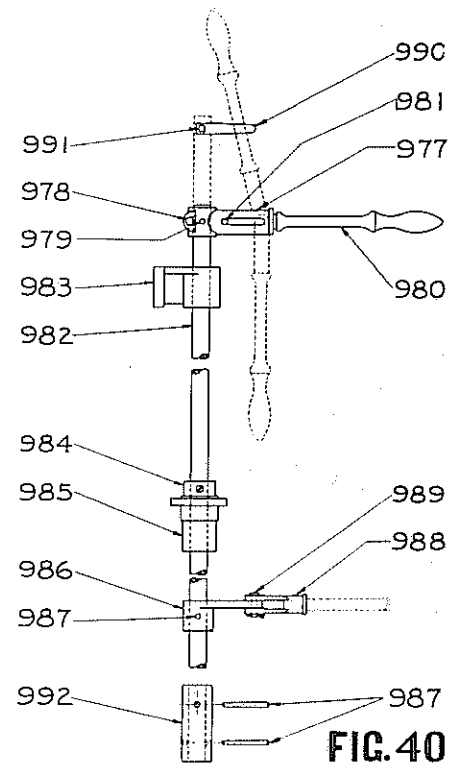


FIG. 40

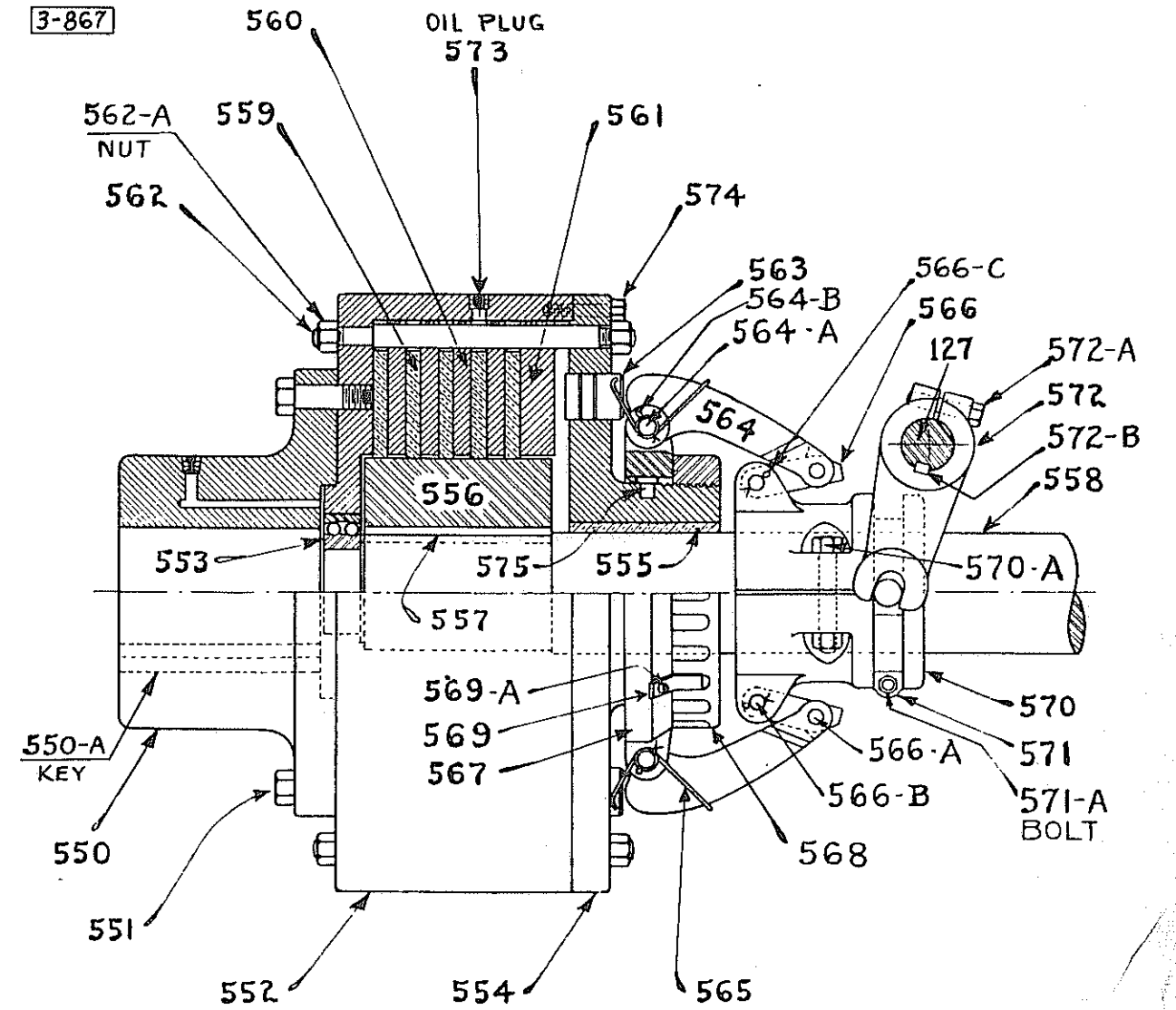
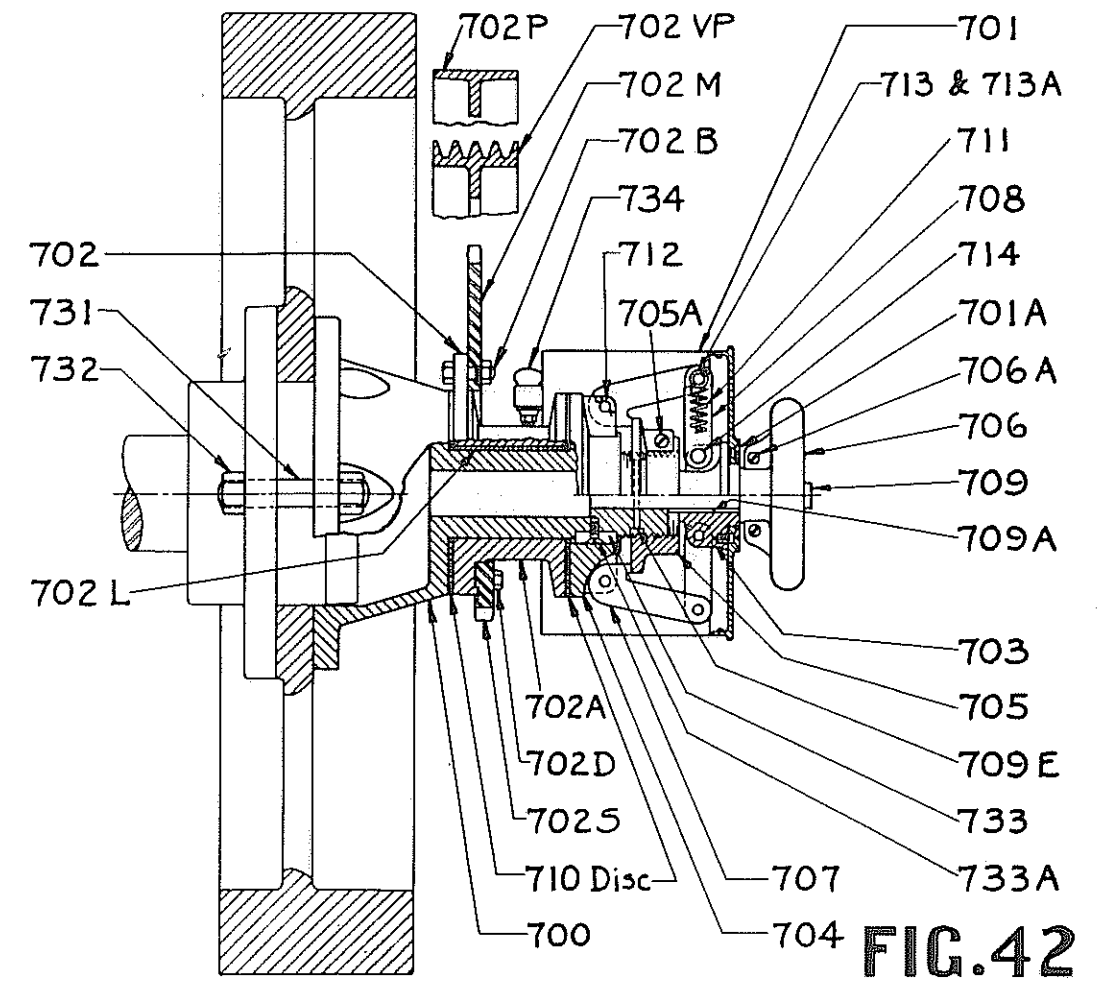
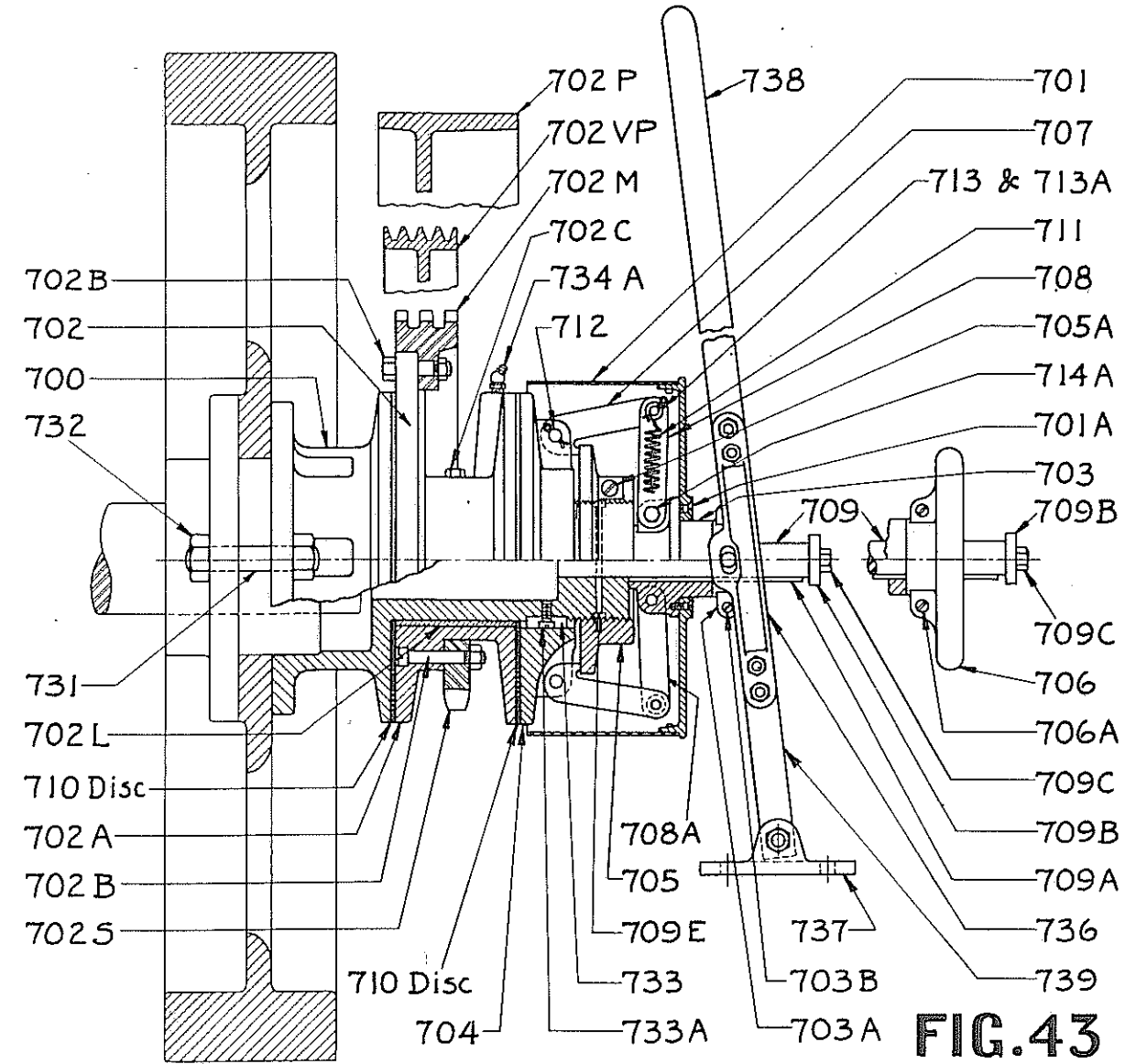
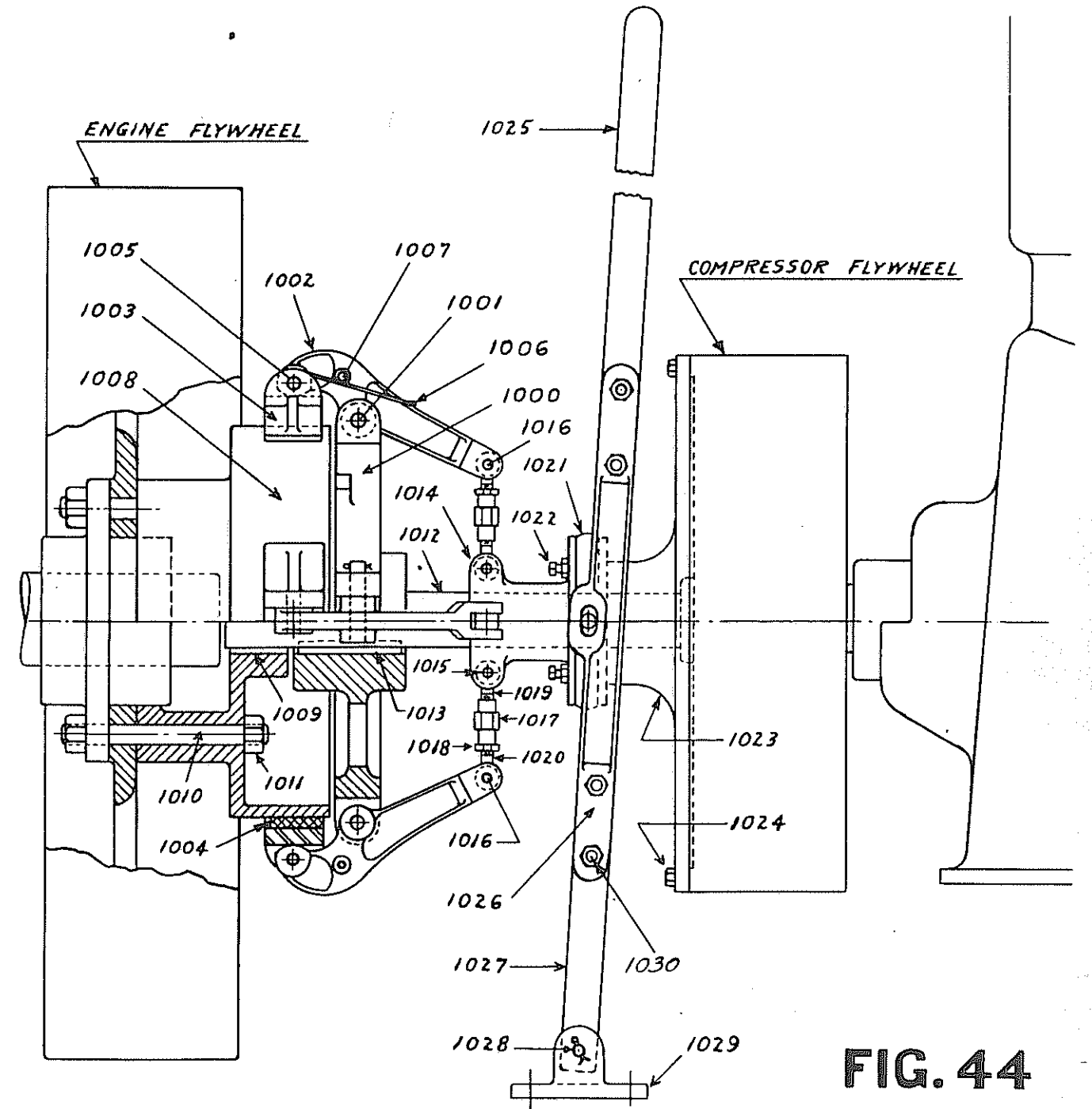
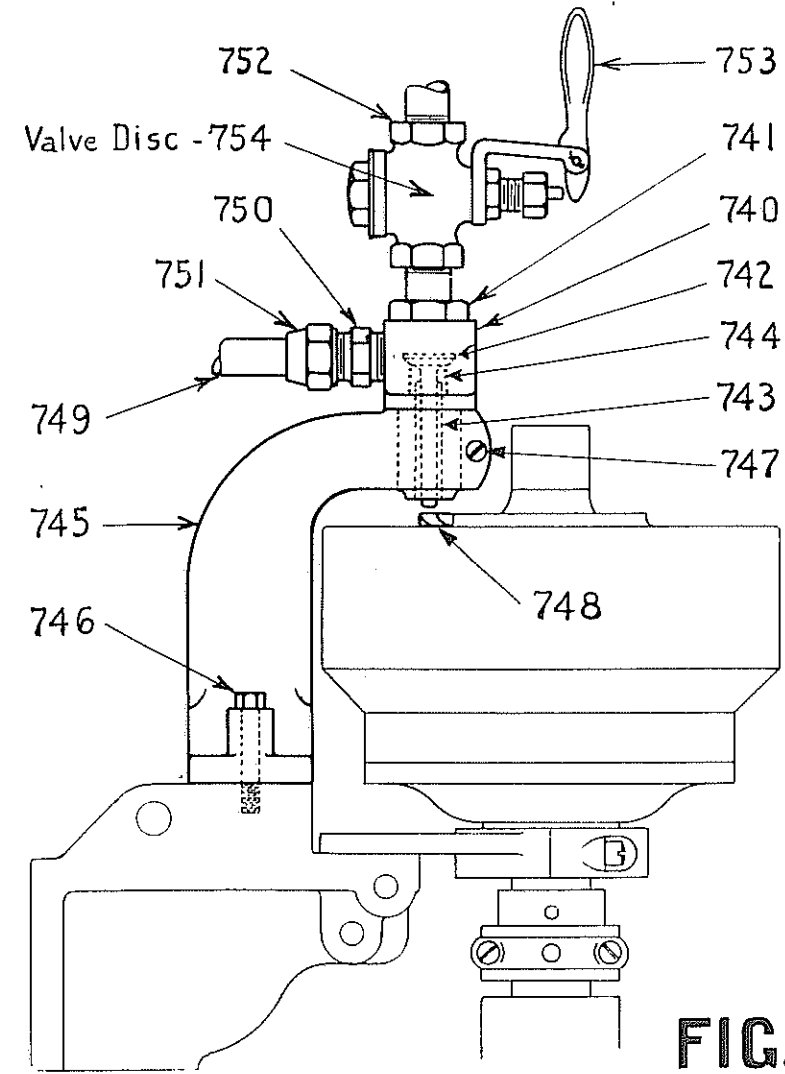


Fig. 38
No. 180 Kahlenberg One-Way Clutch





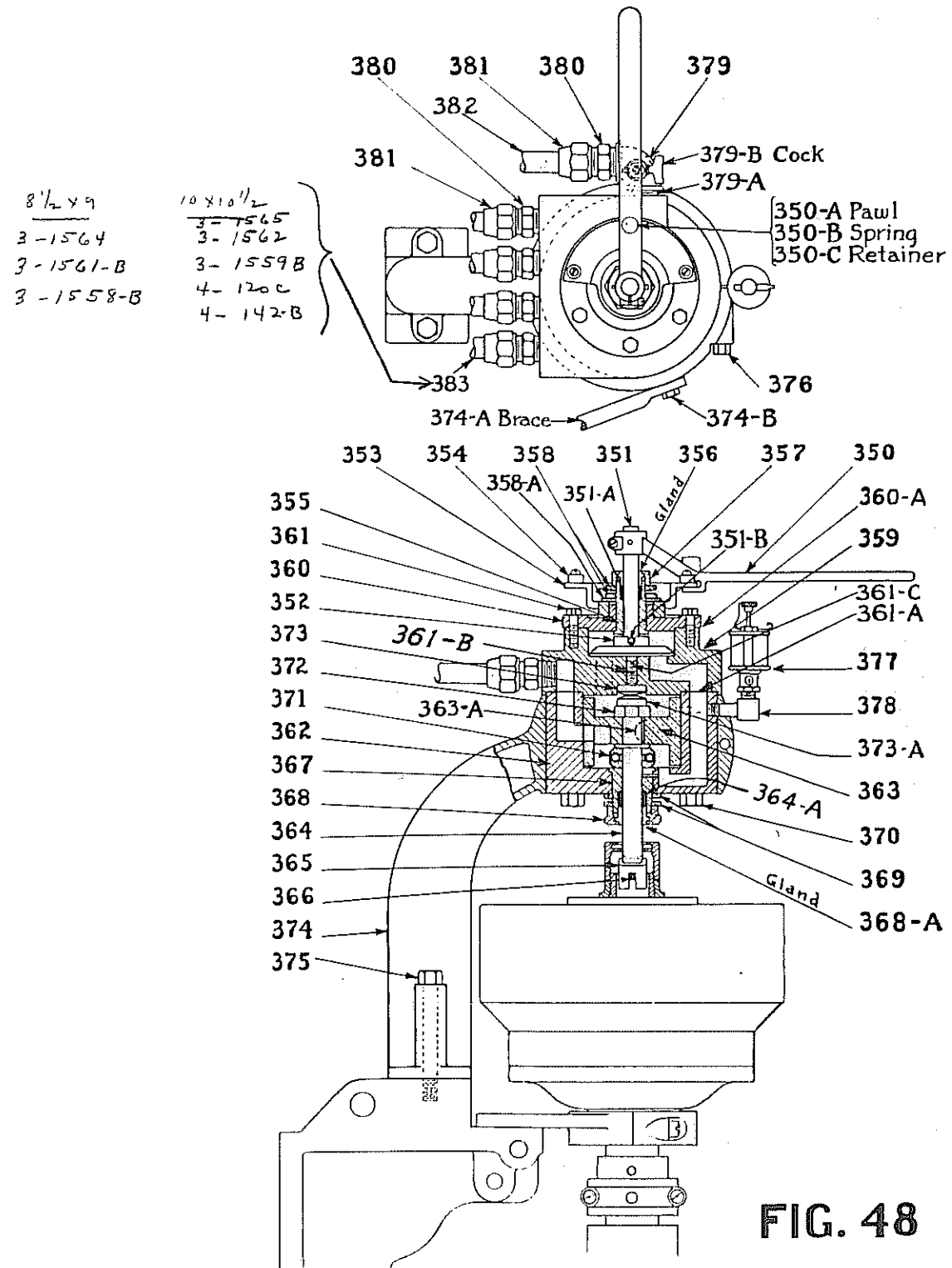


FIG. 48

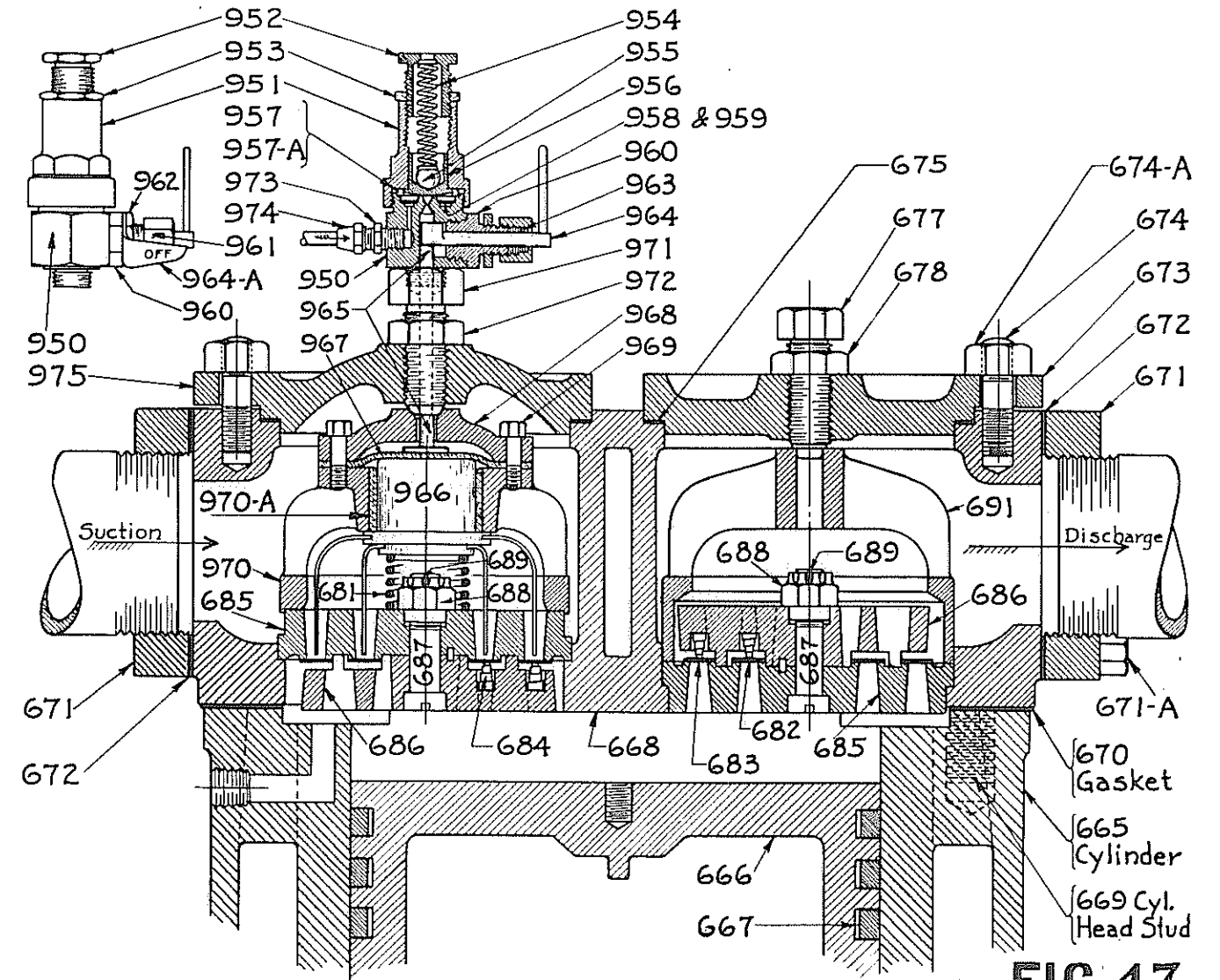


FIG. 47

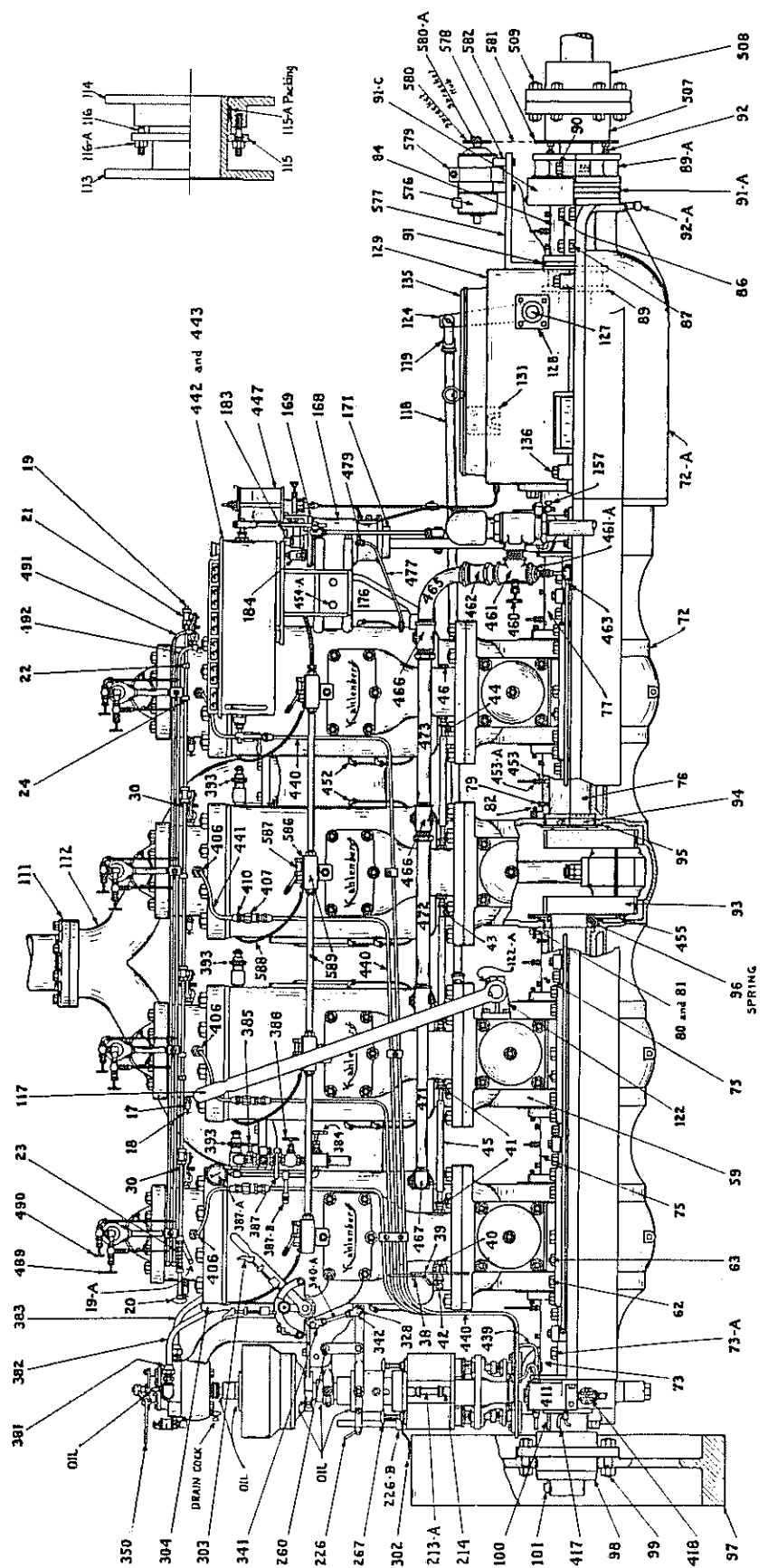


Fig. 50

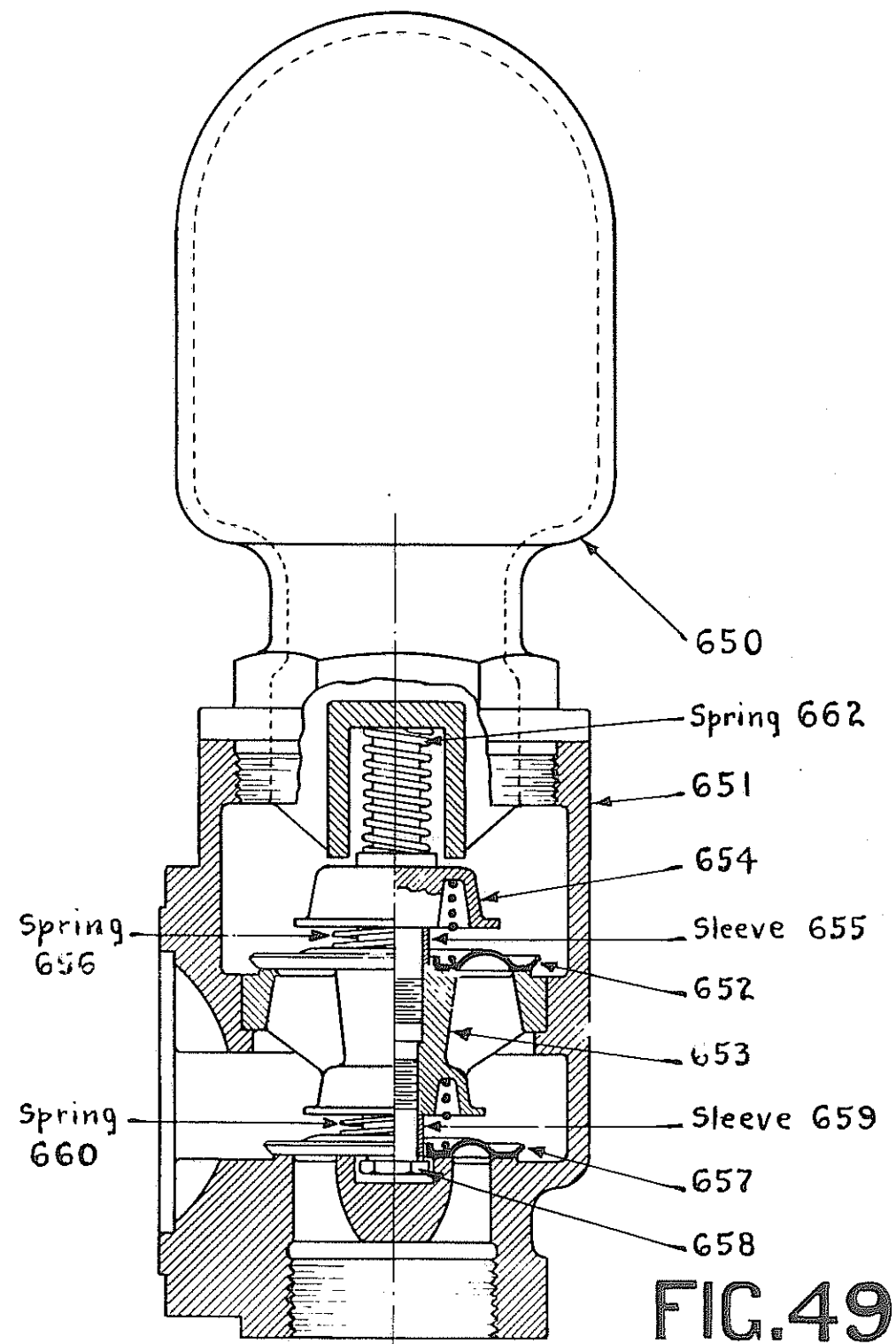


FIG. 49

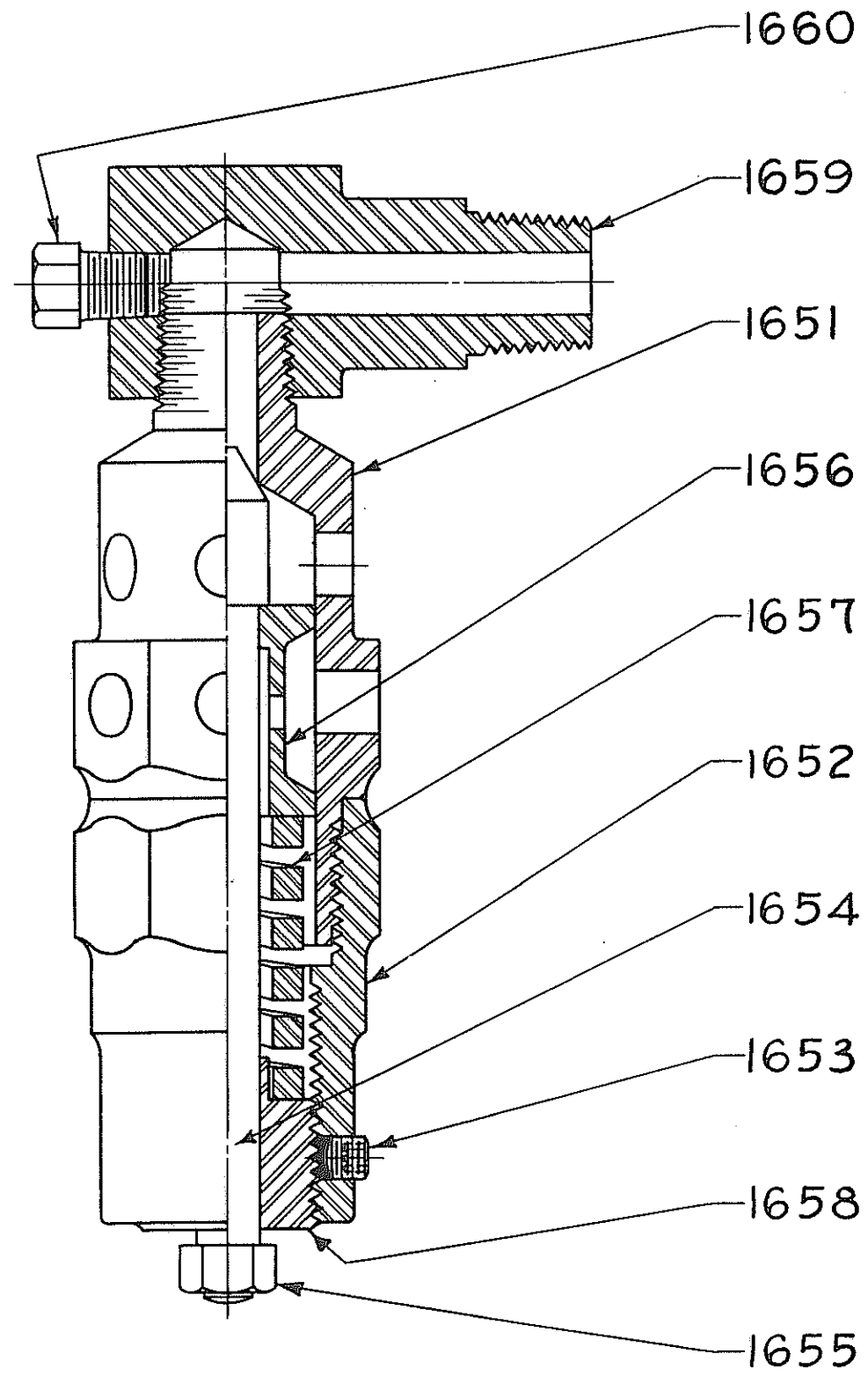


FIG. 54

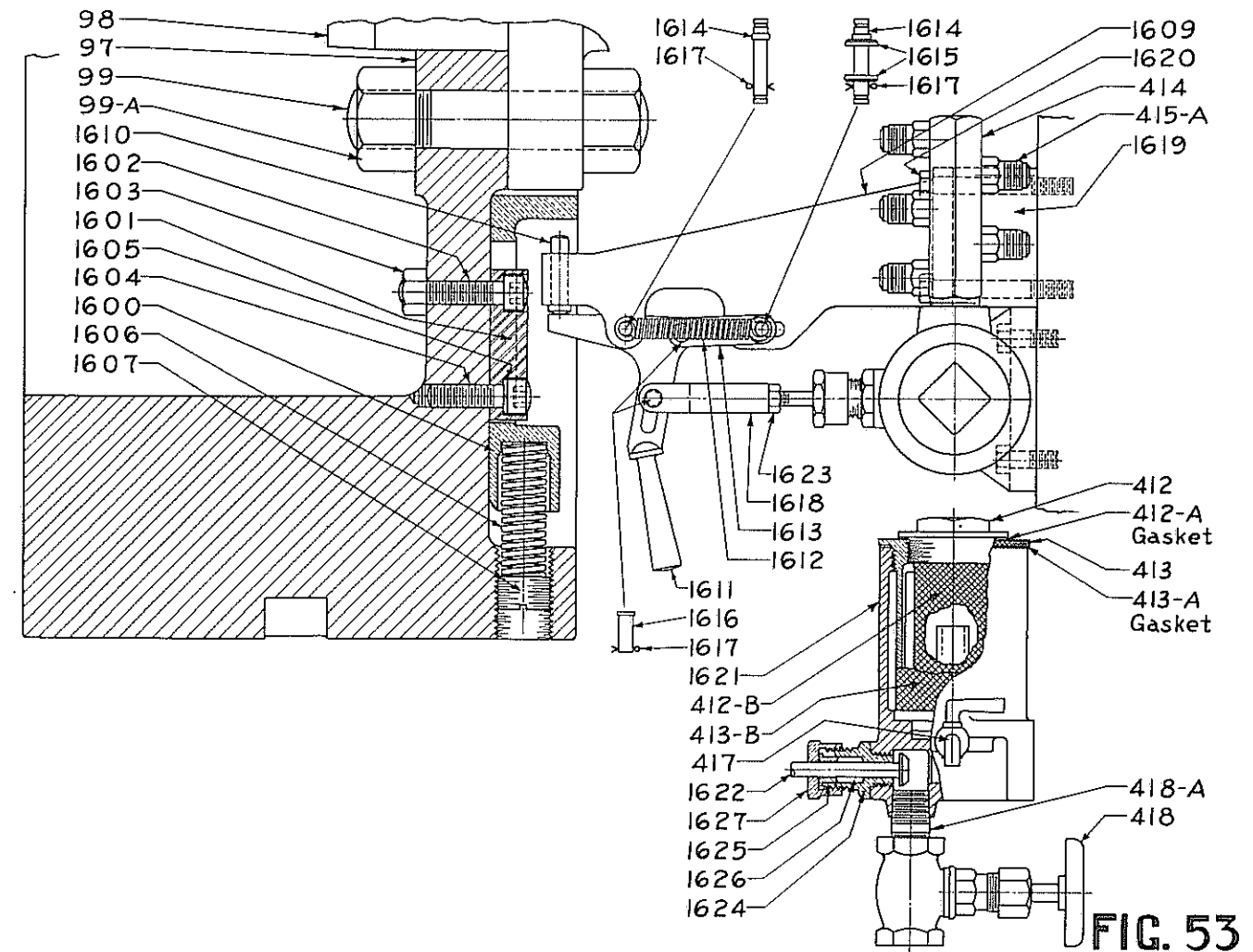


FIG. 53

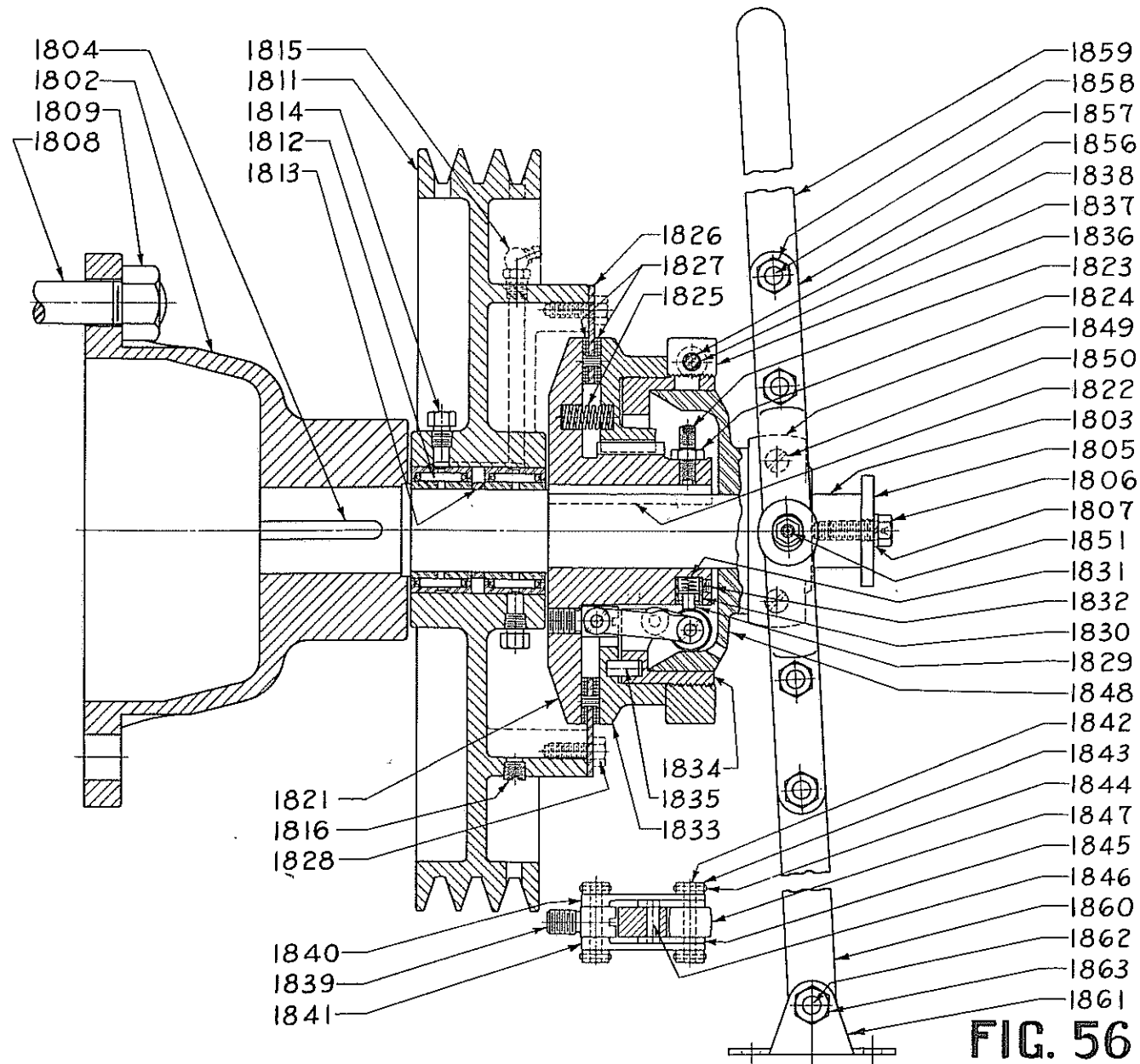


Fig. 56

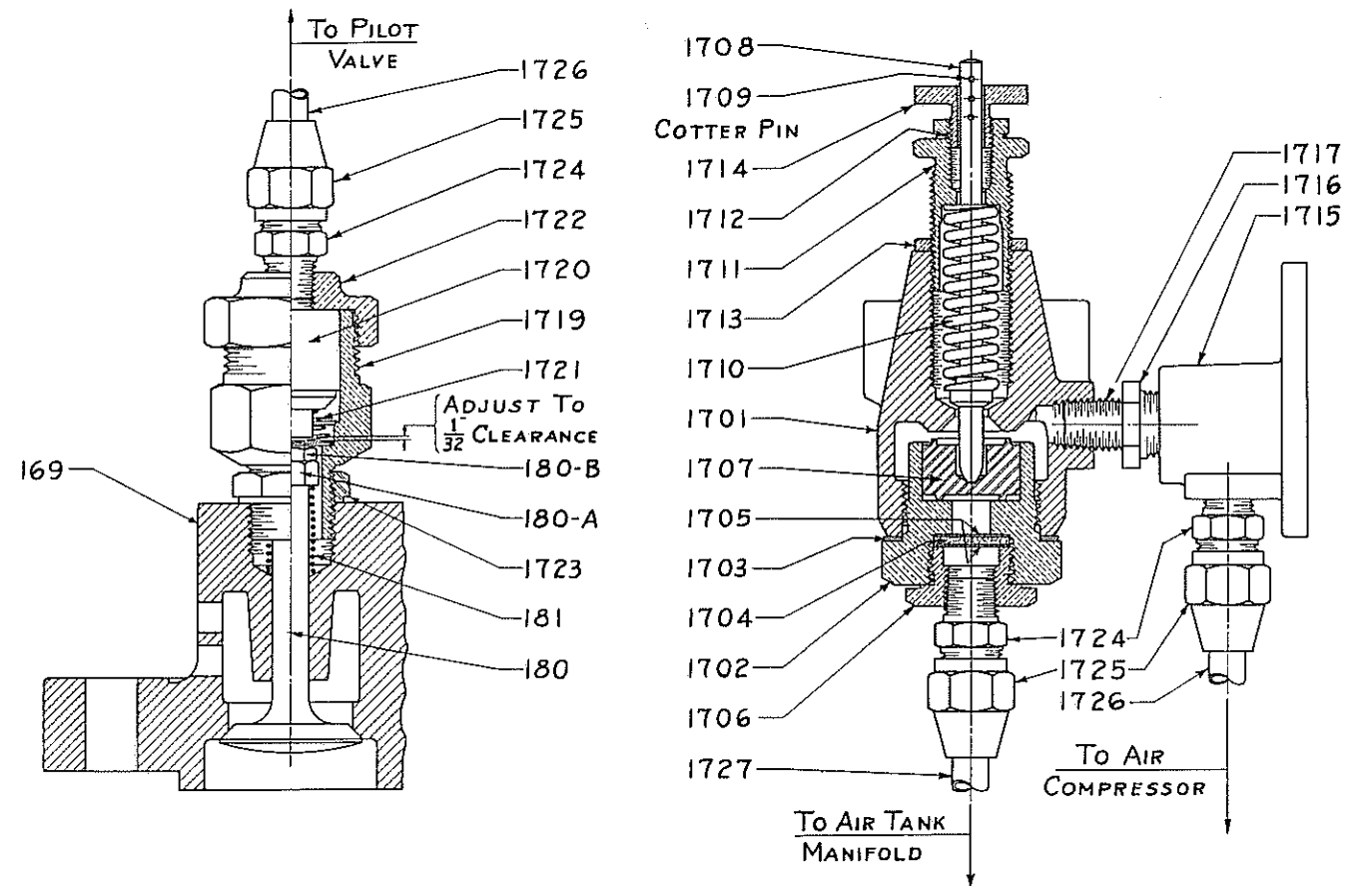


FIG. 55

Kahlenberg
PARTS CHART

Fig. 58

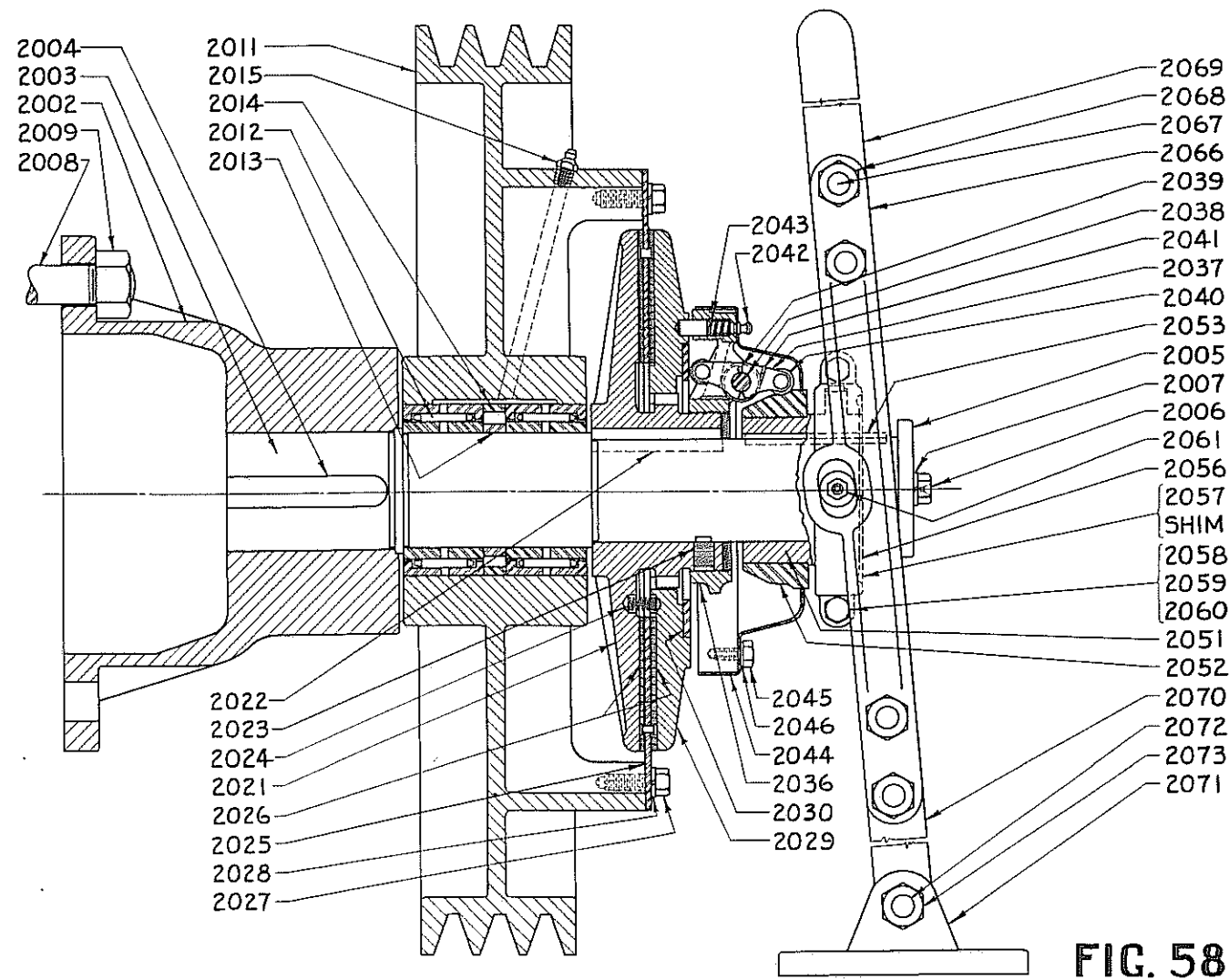
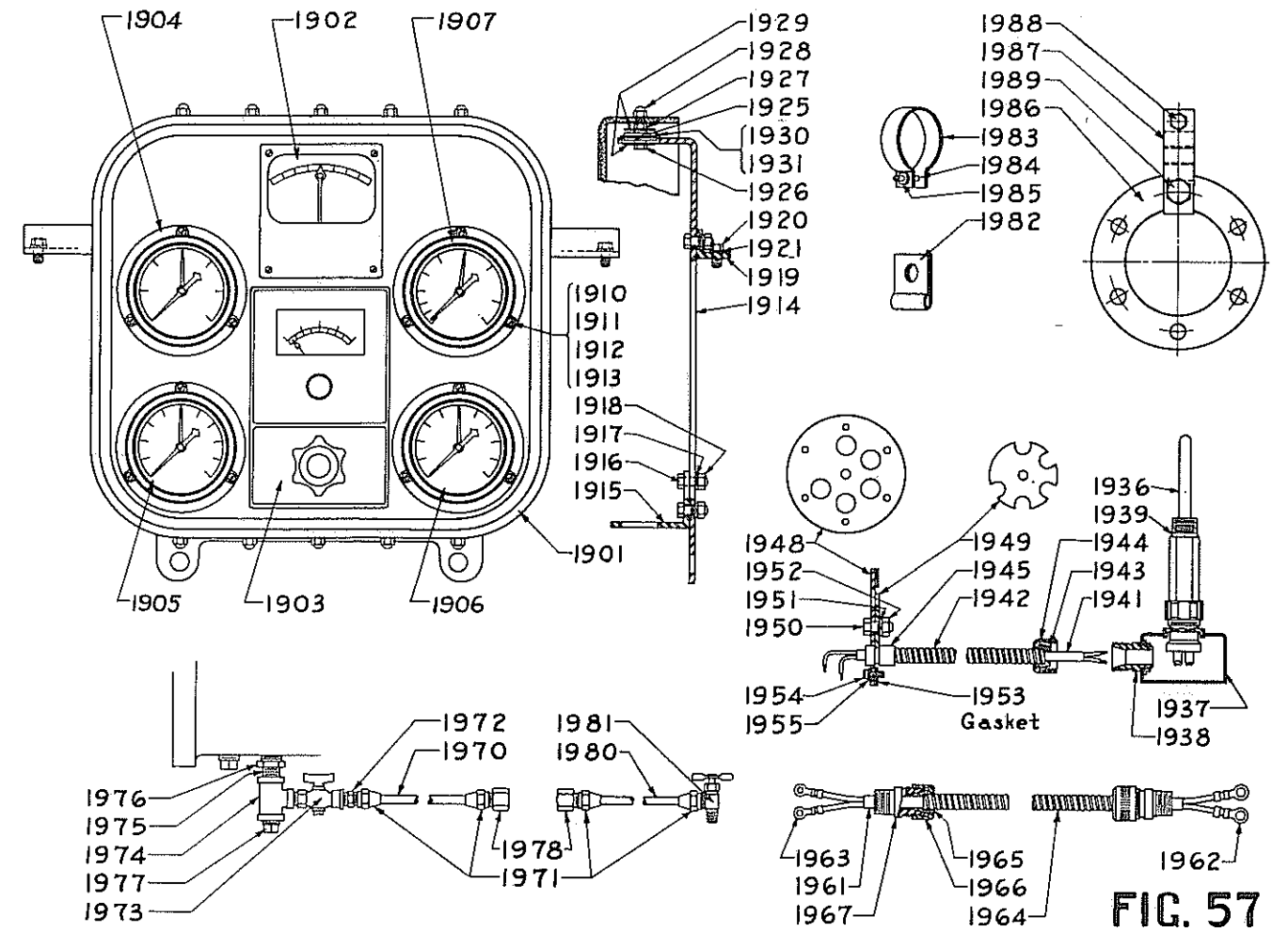


Fig. 58

Kahlenberg
PARTS CHART

Fig. 57



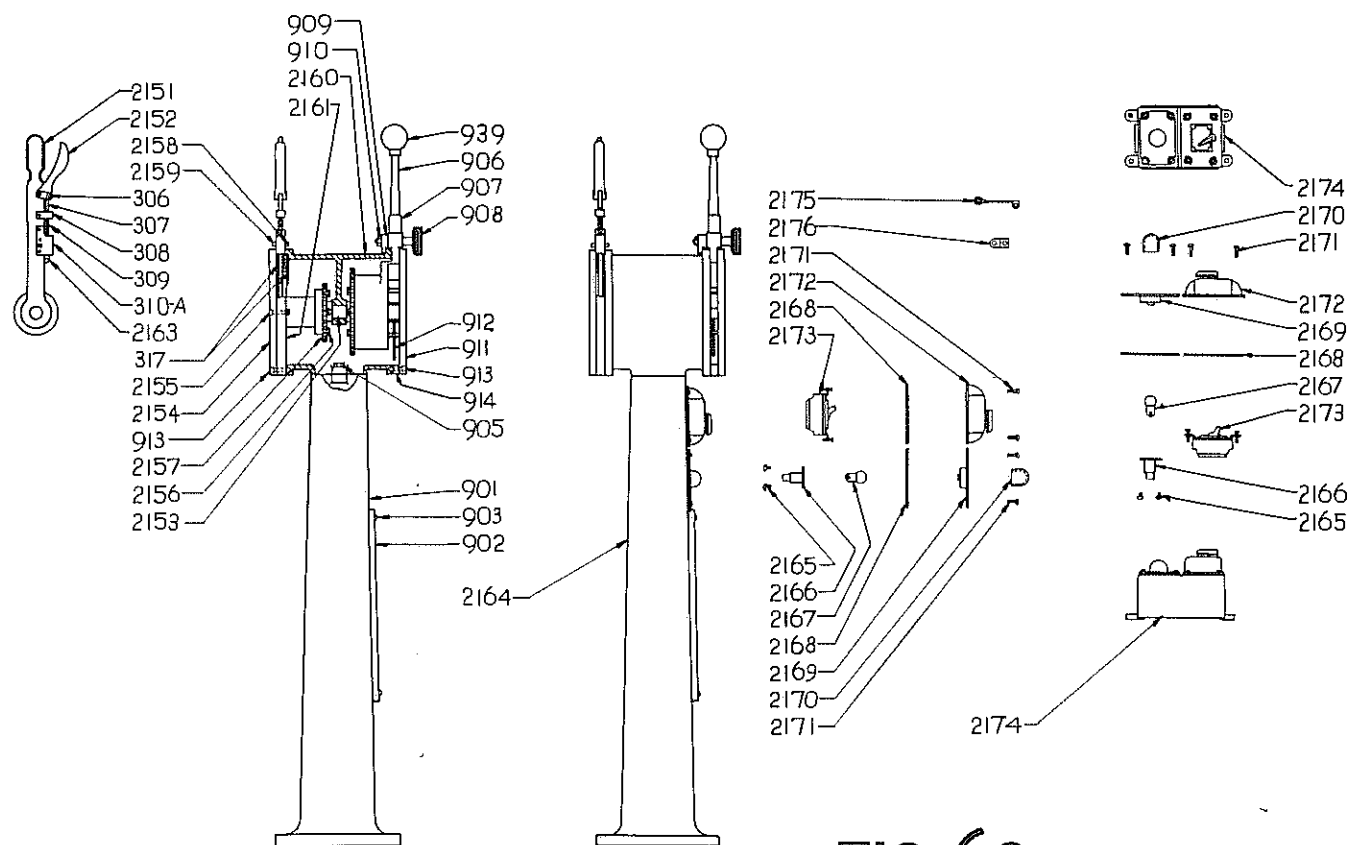


FIG. 60

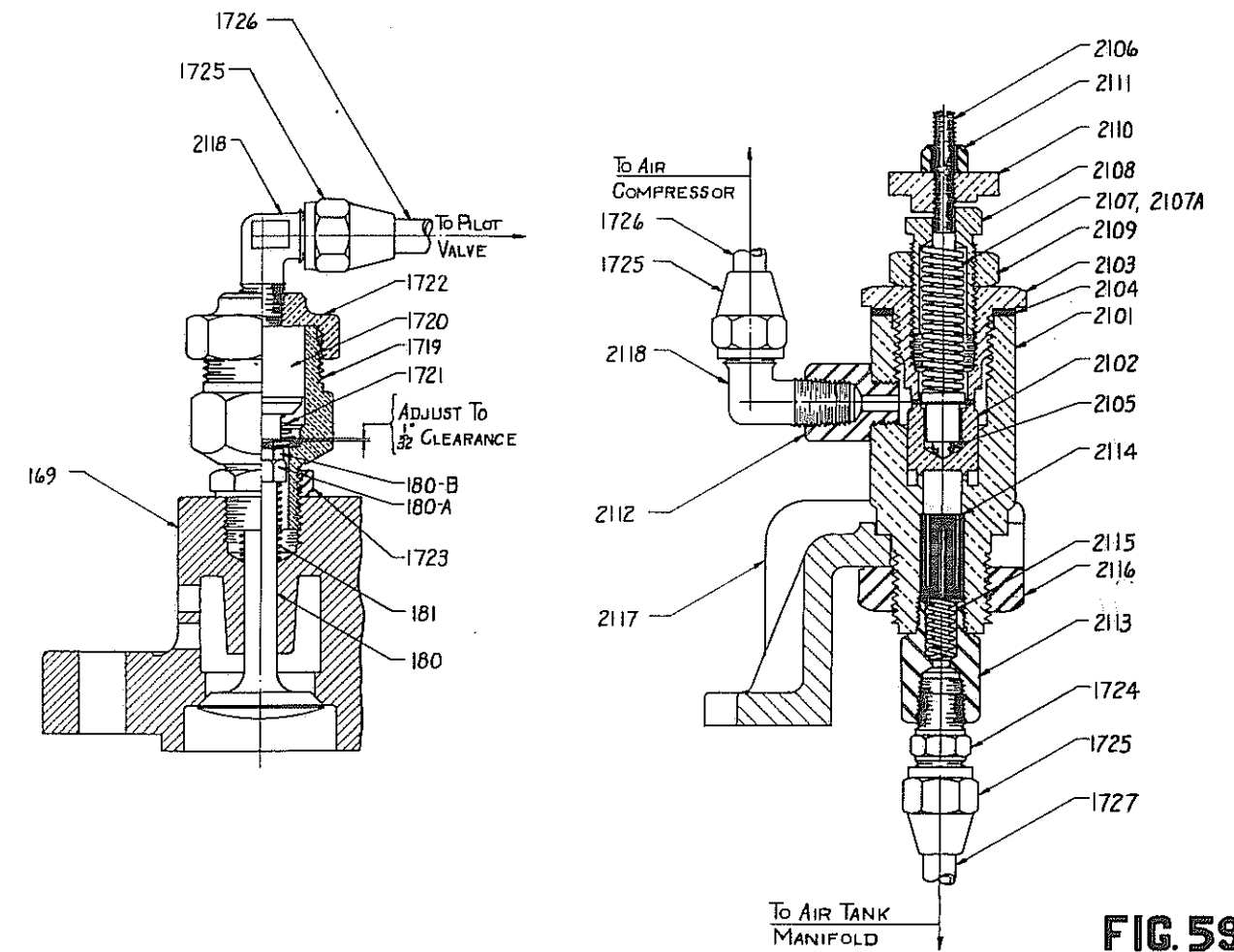


FIG. 59

